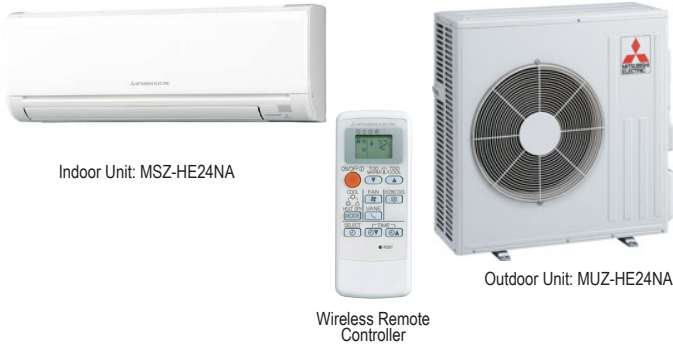


**SUBMITTAL DATA: MSZ-HE24NA & MUZ-HE24NA**  
24,000 BTU/H WALL-MOUNTED HEAT-PUMP SYSTEMS

Job Name: \_\_\_\_\_

System Reference: \_\_\_\_\_ Date: \_\_\_\_\_



**GENERAL FEATURES**

- Wall-mounted indoor unit
- Single connection only
- Auto fan speed control: Low, Medium, High, and Super High
- Hand-held Wireless Remote Controller
- Limited warranty: five years parts and seven years compressor

**ACCESSORIES**

**Outdoor Unit**

- Outdoor Mounting Pad (ULTRILITE1)
- Drain Pan Heater (MAC-642BH-U)
- 3-1/4" Mounting Base [Pair] (DSD-400P)
- Drain Pan Socket (MAC-851DS)
- Air Outlet Guide (MAC-886SG-E)
- Wall Mounting Bracket (CWMB1)

**Indoor Unit**

- BlueDiamond MaxiBlue Condensate Pump (X87-721, 230V)
- Sauermann Condensate Pump (SI30-230, 230V)
- Anit-Allergy Enzyme Filter (MAC-408FT-E)
- Platinum Catalyst Deodorizing Filter (MAC-308FT-E)
- Drain Pan Level Sensor (DPLS1)

**SPECIFICATIONS**

**Cooling\***

Rated Capacity.....	22,500 Btu/h
Maximum Capacity.....	22,500 Btu/h
SEER.....	18.0 Btu/h/W
Total Input.....	1,800 (570- 3,580) W

**Heating at 47° F\***

Rated Capacity.....	26,600 Btu/h
Maximum Capacity.....	30,000 Btu/h
HSPF.....	8.5 Btu/h/W
Total Input.....	2,340 (520- 3,650)W

**Heating at 17° F\***

Rated Capacity.....	16,000 Btu/h
Rated Total Input.....	1,770 W
Maximum Capacity.....	24,600 Btu/h

**Heating at 5° F**

Maximum Capacity.....	21,160 Btu/h
-----------------------	--------------

**Electrical Requirements**

Power Supply.....	208 / 230V, 1-Phase, 60 Hz
Breaker Size.....	20 A

**Voltage**

Indoor - Outdoor S1-S2.....	AC 208 / 230 V
Indoor - Outdoor S2-S3.....	DC ±24 V
Indoor - Remote Controller.....	DC ±24 V

**Indoor Unit**

MCA.....	1.0 A
Blower Motor (ECM).....	0.76 F.L.A.
Airflow (Lo - Med - Hi - Super Hi)	
Cooling.....	388-470-544-629 Dry CFM
.....	347-420-486-562 Wet CFM
Heating.....	360-470-544-629 Dry CFM
Sound Pressure Level (Lo - Med - Hi - Super Hi)	
Cooling.....	34-41-45-49 dB(A)
Heating.....	32-41-45-49 dB(A)
External Finish Color.....	Munsell 1.0Y 9.2/0.2
Dimension Unit	
Inches:.....	12-13/16 H x 43-5/16 W x 9-3/8 D
mm:.....	325 H x 1,100 W x 238 D
Weight Unit.....	37 lbs. / 17 kg
Field Drainpipe Size O.D.....	5/8" x 15.88 mm

**Outdoor Unit**

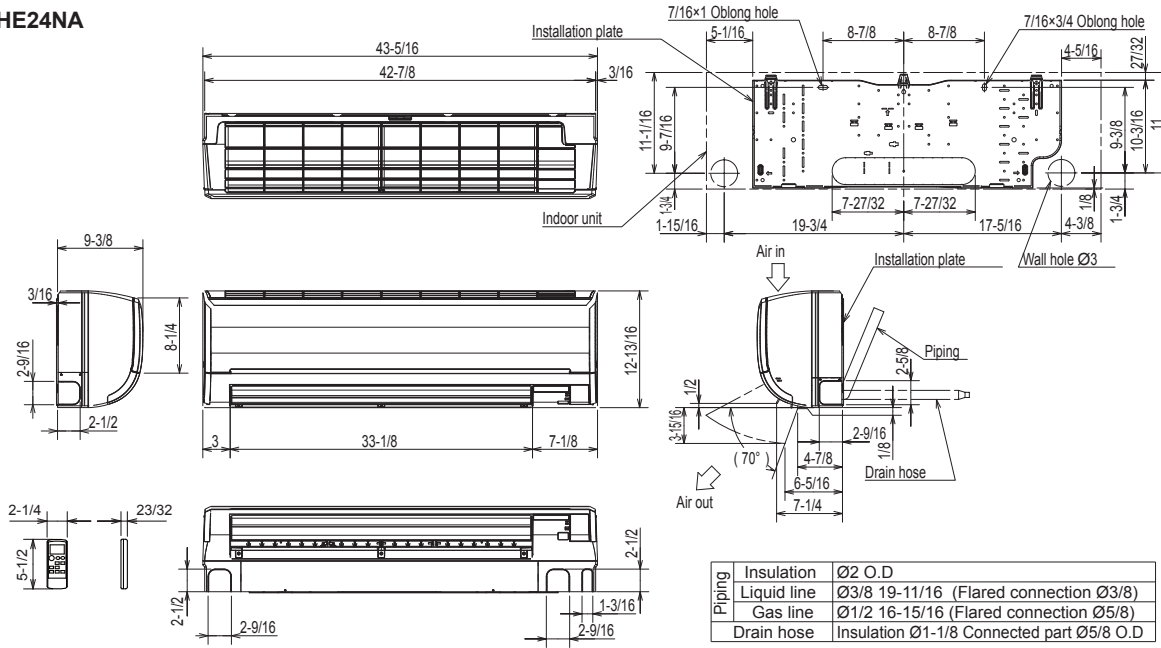
MCA.....	17.1 A
MOCB.....	20 A
Fan Motor (ECM).....	0.93 F.L.A.
Compressor.....	DC Inverter-driven Twin Rotary
Sound Pressure Level	
Cooling *1.....	55 dB(A)
Heating *2.....	55 dB(A)
External Finish Color.....	Munsell 3Y 7.8/1.1
External Dimensions	
Inches:.....	34-5/8 H x 33-1/16 W x 13 D
mm:.....	880 H x 840 W x 330 D
Weight.....	119 lbs. / 54kg
Refrigerant Type.....	R410A
Refrigerant Pipe	
Gas Side O.D.....	5/8" / 15.88 mm
Liquid Side O.D.....	3/8" / 6.35 mm
Refrigerant Pipe Length	
Height Difference (Max.).....	50' / 15 m
Length (Max.).....	100' / 30 m
Connection Method	
Indoor/Outdoor.....	Flared

**Rating Conditions:**

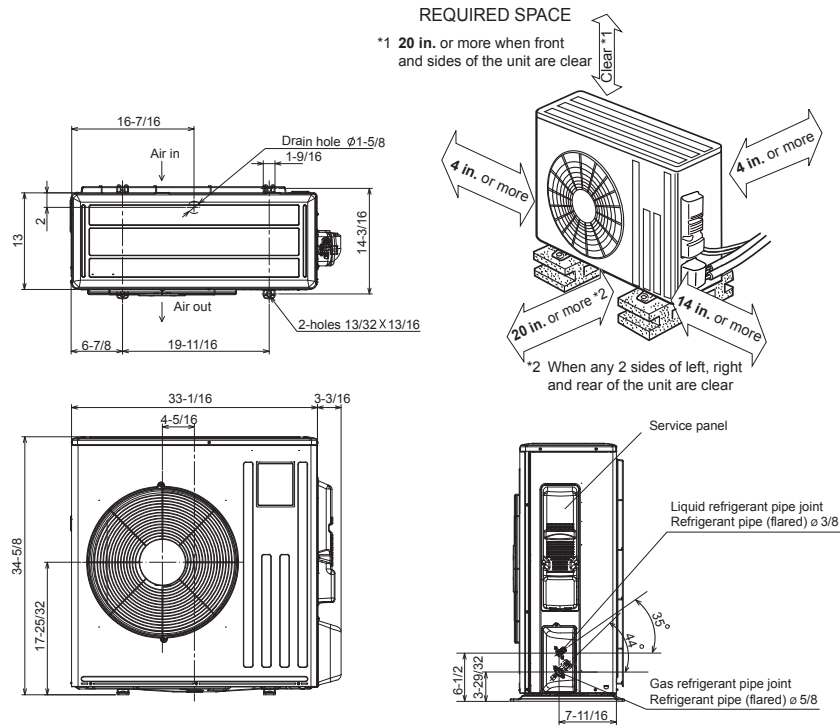
- \*1 Cooling | Indoor: 80° F (27° C) DB / 67° F (19° C) WB
- \*1 Cooling | Outdoor: 95° F (35° C) DB / 75° F (24° C) WB
- \*2 Heating at 47°F | Indoor: 70° F (21° C) DB / 60° F (16° C) WB
- \*2 Heating at 47°F | Outdoor: 47° F (8° C) DB / 43° F (6° C) WB
- \*3 Heating at 17° F | Indoor: 70° F (21° C) DB / 60° F (16° C) WB
- \*3 Heating at 17° F | Outdoor: 17° F (-8° C) DB / 15° F (-9° C) WB
- \*4 Heating at 5° F | Indoor: 70° F (21° C) DB / 60° F (16° C) WB
- \*4 Heating at 5° F | Outdoor: 5° F (-15° C) DB / 5° F (-15° C) WB

# DIMENSIONS: MSZ-HE24NA & MUZ-HE24NA

## MSZ-HE24NA



## MUZ-HE24NA



**Intertek**

**INVERTER**

