

Project Name: _____
 Location: _____
 Engineer: _____
 Submitted to: _____
 Submitted by: _____
 Reference: _____

Approval: _____
 Date: _____
 Construction: _____
 Unit #: _____
 Drawing #: _____

Performance

Indoor Unit Model No: FXLQ18MVJU9
Rated Cooling Capacity (Btu/hr): 18000
Sensible Capacity (Btu/hr): 12200
Cooling Input Power (kW): 0.105
Rated Heating Capacity (Btu/hr): 20000
Heating Input Power (kW): 0.105

Indoor Unit Type: Floor Standing
Rated Cooling Conditions Indoor: 80°F DB/67°F WB
 Ambient: 95°F DB/75°F WB
Rated Heating Conditions Indoor: 70°F DB/60°F WB
 Ambient: 47°F DB/43°F WB
Rated Piping Length (ft) 25
Rated Height Separation (ft) 0

Indoor Unit Details

Power Supply (V/Hz/Ph): 208-230/60/1ph
Power Supply Connections: L1, L2, Ground
Min. Circuit Amps MCA (A): 0.6
Max. Overcurrent Protection (MOP) (A): 15
Dimensions (HxWxD): 23-5/8x55-7/8x8-3/4
Panel (HxWxD): N/A
Net Weight (lbs): 80
Net Weight with Panel (lbs): _____

Airflow Rate (CFM wet coil) 490//380
Moisture Removal (pt/h): _____
Gas Pipe Connection (inch): 1/2
Liquid Pipe Connection (inch): 1/4
Condensate Connection (inch): 53/64
Sound Pressure Level (dBA): 40
Sound Power Level (dBA): _____
External Static Pressure/Max (inWg): 0 / 0
Controller Name: _____

FXLQ18MVJU9



FXLQ18MVJU9

Std U.S. Warranty: 7yrs Compressor, 1yrs Parts

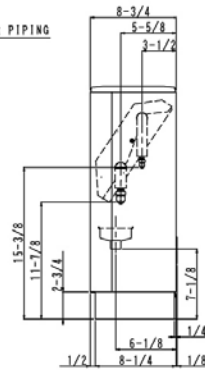
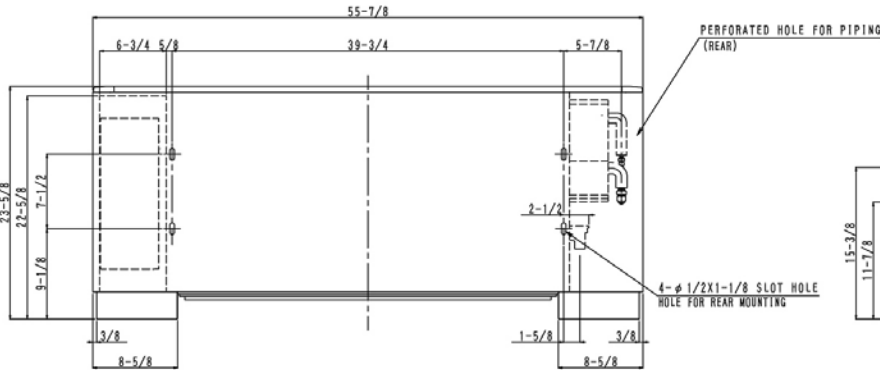
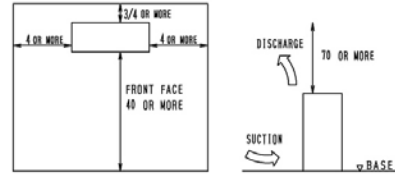
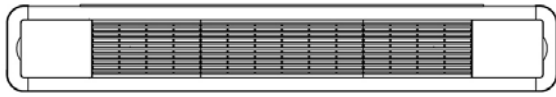
Project Name: _____
 Location: _____
 Engineer: _____
 Submitted to: _____
 Submitted by: _____
 Reference: _____

Approval: _____
 Date: _____
 Construction: _____
 Unit #: _____
 Drawing #: _____

Dimensional Drawing - Indoor Unit

FXLQ18MVJU9

FXLQ18/24MVJU9
Unit (in.)



Piping size (Field supply)

Indoor unit	Gas side	Liquid side
FXLQ18MVJU9	φ 1/2	φ 1/4
FXLQ24MVJU9	φ 5/8	φ 3/8

