



Air Conditioning & Heating

AWUF SERIES WALL-MOUNT AIR HANDLER 1½- TO 3-TONS



Standard Features

- Suitable for use with refrigerants R-410A and R-22
- Equipped with a check flowrater for cooling-only and heat pump operation
- Direct-drive, multi-speed motor allows air volume variation for heating and cooling
- Sequence-controlled, rust-resistant nickel chromium heating elements of 3, 5, 8, and 10 kW
- Factory-installed pull-type disconnect
- Built-in filter rack (filter included)
- Aluminum tube coils on all models
- AHRI Certified
- ETL Listed

Cabinet Features

- Thermoplastic drain pan with bottom primary and secondary drain connections
- Built-in filter rack (filter included)
- Large chassis (2½- and 3-ton units) – front return only
- Small chassis (1½- and 2-ton units) – front or bottom return
- Wall-hanging bracket provided

Accessories

- Wall access doors:
 - WAD-1 fits AWUF18 and AWUF24
 - WAD-2 fits AWUF30 through AWUF37



* Complete warranty details available from your local dealer or at www.goodmanmfg.com. To receive the 10-Year Parts Limited Warranty, online registration must be completed within 60 days of installation. Online registration is not required in California or Québec.



SPECIFICATIONS

	AWUF 180316B	AWUF 18051/16A	AWUF 18051/16B	AWUF 18081/16A	AWUF 18081/16B	AWUF 240316B	AWUF 24051/16A	AWUF 24051/16B
NOMINAL RATINGS								
Cooling (BTU/h)	18,000	18,000	18,000	18,000	18,000	24,000	24,000	24,000
Electric Heat (kW)	3, 5	5	5	8	8	3, 5	5	5
BLOWER								
Diameter	9	9	9	9	9	10	10	10
Width	6	6	6	6	6	6	6	6
Coil Drain Connection FPT	¾"	¾"	¾"	¾"	¾"	¾"	¾"	¾"
SERVICE VALVE								
Liquid	⅜"	⅜"	⅜"	⅜"	⅜"	⅜"	⅜"	⅜"
Suction	⅝"	⅝"	⅝"	⅝"	⅝"	⅝"	⅝"	⅝"
ELECTRICAL DATA								
Voltage	240/208	240/208	240/208	240/208	240/208	240/208	240/208	240/208
Min Circuit Ampacity (240V)	15.1	26.7	26.6	39.7	39.6	15.1	26.7	26.6
Min Circuit Ampacity (208V)	17.3	23.3	23.3	34.6	34.6	17.3	23.3	23.3
Max. Overcurrent Protection (240V)	20	30	30	40	40	20	30	30
Max. Overcurrent Protection (208V)	20	30	25	40	35	20	30	25
Minimum VAC	197	197	197	197	197	197	197	197
Maximum VAC	253	253	253	253	253	253	253	253
BLOWER MOTOR								
FLA - HP	1.3 - 1/5	1.35 - 1/5	1.3 - 1/5	1.35 - 1/5	1.3 - 1/5	1.3 - 1/5	1.35 - 1/5	1.3 - 1/5
SHIP WEIGHT (LBS)								
	84	84	84	84	84	84	84	84

SPECIFICATIONS (CONT.)

	AWUF 24081/16A	AWUF 24081/16B	AWUF 24101/16A	AWUF 24101/16B	AWUF 300316B	AWUF 30051/16B	AWUF 30081/16B	AWUF 30101/16B
NOMINAL RATINGS								
Cooling (BTU/h)	24,000	24,000	24,000	24,000	30,000	30,000	30,000	30,000
Electric Heat (kW)	8	8	10	10	3, 5	5	8	10
BLOWER								
Diameter	10	10	10	10	9	9	9	9
Width	6	6	6	6	8	8	8	8
Coil Drain Connection FPT	¾"	¾"	¾"	¾"	¾"	¾"	¾"	¾"
SERVICE VALVE								
Liquid	⅜"	⅜"	⅜"	⅜"	⅜"	⅜"	⅜"	⅜"
Suction	⅝"	⅝"	⅝"	⅝"	¾"	¾"	¾"	¾"
ELECTRICAL DATA								
Voltage	240/208	240/208	240/208	240/208	240/208	240/208	240/208	240/208
Min Circuit Ampacity (240V)	39.7	39.6	52.7	52.7	15.5	27	40	53
Min Circuit Ampacity (208V)	34.2	34.6	45.6	45.9	17.6	23.6	34.9	46.2
Max. Overcurrent Protection (240V)	40	40	60	60	20	30	40	60
Max. Overcurrent Protection (208V)	40	35	50	50	20	25	35	50
Minimum VAC	197	197	197	197	197	197	197	197
Maximum VAC	253	253	253	253	253	253	253	253
BLOWER MOTOR								
FLA - HP	1.35 - 1/5	1.3 - 1/5	1.35 - 1/5	1.3 - 1/5	1.58 - 1/3	1.58 - 1/3	1.58 - 1/3	1.58 - 1/3
SHIP WEIGHT (LBS)								
	84	84	84	84	93	109	109	109

SPECIFICATIONS (CONT.)

	AWUF 310516A*	AWUF 310816A*	AWUF 321016A*	AWUF 36051/16B	AWUF 36081/16B
NOMINAL RATINGS					
Cooling (BTU/h)	18,000-30,000	18,000-30,000	18,000-30,000	36,000	36,000
Electric Heat (kW)	5	8	10	5	8
BLOWER					
Diameter	10	10	10	9	9
Width	8	8	8	8	8
Coil Drain Connection FPT	¾"	¾"	¾"	¾"	¾"
SERVICE VALVE					
Liquid	⅜"	⅜"	⅜"	⅜"	⅜"
Suction	¾"	¾"	¾"	¾"	¾"
ELECTRICAL DATA					
Voltage	240/208	240/208	240/208	240/208	240/208
Min Circuit Ampacity (240V)	30.1	43.1	56.2	27	40
Min Circuit Ampacity (208V)	26.8	38.1	49.4	23.6	34.9
Max. Overcurrent Protection (240V)	35	45	60	30	40
Max. Overcurrent Protection (208V)	30	40	50	25	35
Minimum VAC	197	197	197	197	197
Maximum VAC	253	253	253	253	253
BLOWER MOTOR					
FLA - HP	4.1 - 1/2	4.1 - 1/2	4.1 - 1/2	1.58 - 1/3	1.58 - 1/3
SHIP WEIGHT (LBS)					
	109	109	109	96	96

SPECIFICATIONS (CONT.)

	AWUF 36101/16B	AWUF 370516B	AWUF 370816B	AWUF 371016B
NOMINAL RATINGS				
Cooling (BTU/h)	36,000	36,000	36,000	36,000
Electric Heat (kW)	10	5	8	10
BLOWER				
Diameter	9	10	10	10
Width	8	8	8	8
Coil Drain Connection FPT	¾"	¾"	¾"	¾"
SERVICE VALVE				
Liquid	⅜"	⅜"	⅜"	⅜"
Suction	¾"	¾"	¾"	¾"
ELECTRICAL DATA				
Voltage	240/208	240/208	240/208	240/208
Min Circuit Ampacity (240V)	53	30.1	43.1	56.2
Min Circuit Ampacity (208V)	46.2	26.8	38.1	49.4
Max. Overcurrent Protection (240V)	60	35	45	60
Max. Overcurrent Protection (208V)	50	30	40	50
Minimum VAC	197	197	197	197
Maximum VAC	253	253	253	253
BLOWER MOTOR				
FLA - HP	1.58 - 1/3	4.1 - 1/2	4.1 - 1/2	4.1 - 1/2
SHIP WEIGHT (LBS)				
	96	96	96	96

AIRFLOW DATA

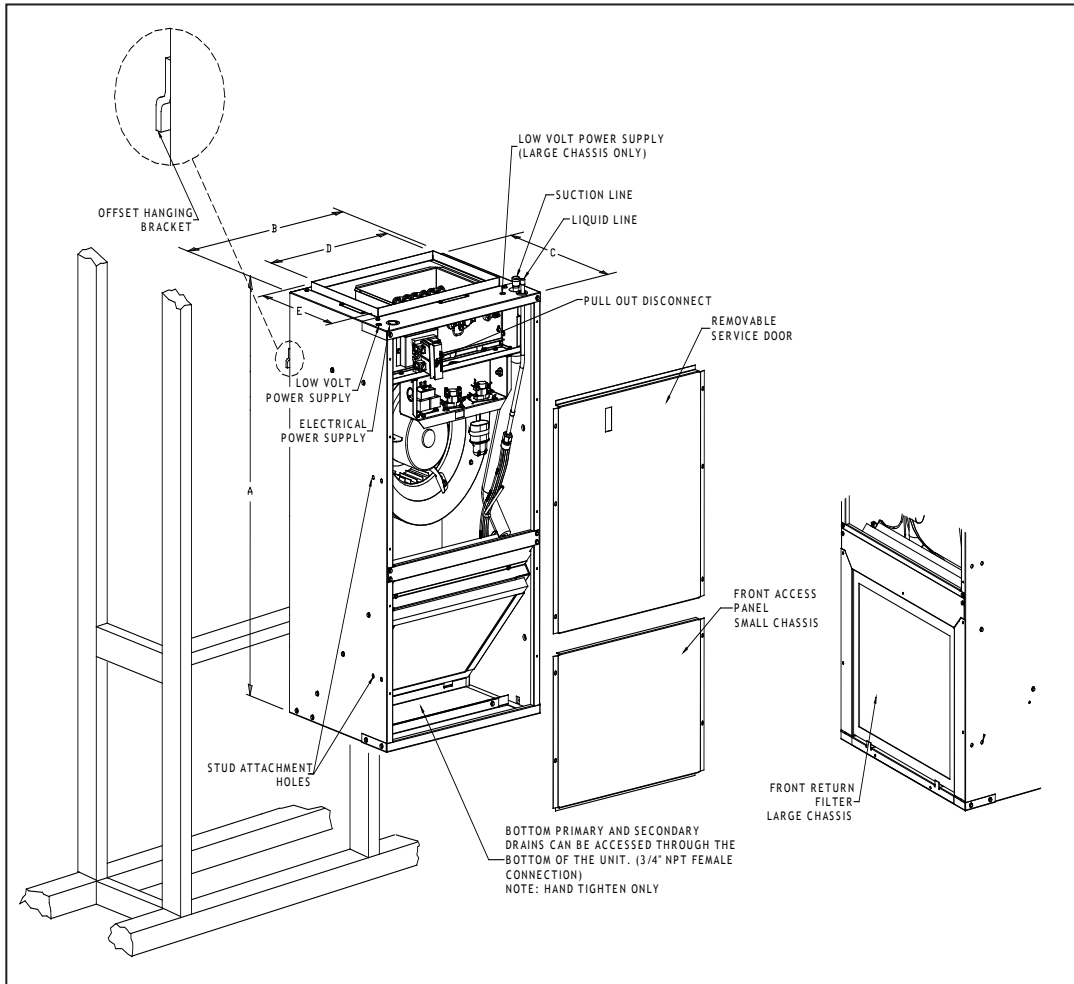
MODEL	MOTOR SPEED	CFM DELIVERED AGAINST EXTERNAL STATIC PRESSURE				
		0.1"	0.2"	0.3"	0.4"	0.5"
AWUF18XX1/16A*	High	750	730	690	650	595
	Low	710	700	690	635	585
AWUF18XX16B*	High	755	715	670	615	545
	Low	740	700	655	595	535
AWUF24XX1/16A*	High	880	845	810	770	735
	Low	845	815	780	745	705
AWUF24XX16B*	High	900	870	835	795	760
	Low	865	835	800	765	725
AWUF30XX1/16A*	High	1250	1195	1135	1085	1010
	Low	1110	1055	1020	955	905
AWUF30XX16B*	High	1255	1120	1100	1020	950
	Low	1115	1010	990	900	820
AWUF310516XX	T5	875	865	830	805	765
	T4	1005	975	945	920	890
	T3	840	795	785	745	700
	T2	645	615	550	500	445
	T1	645	615	550	500	445
AWUF310816XX AWUF321016XX	T5	1090	1065	1040	1015	985
	T4	1005	975	945	920	890
	T3	840	795	785	745	700
	T2	645	615	550	500	445
	T1	645	615	550	500	445
AWUF36XX1/16A*	High	1280	1190	1110	1010	930
	Low	1170	1100	1030	950	890
AWUF36XX16B*	High	1215	1145	1070	985	890
	Low	1120	1065	1000	915	820
AWUF37XX16A*	High	1325	1285	1230	1180	1115
	Low	1085	1060	1030	995	950
AWUF37XX16B*	T5	1385	1205	1130	1045	950
	T4	1235	1180	1115	1040	955
	T3	1165	1120	1075	1025	945
	T2	1050	1010	970	930	860
	T1	1050	1010	970	930	860

HEATING CAPACITY CORRECTION FACTOR*

SUPPLY VOLTAGE	240	230	220	210	208
CORRECTION FACTOR	1.00	.92	.84	.76	.74

* Multiply 240-volt capacity by correction factor

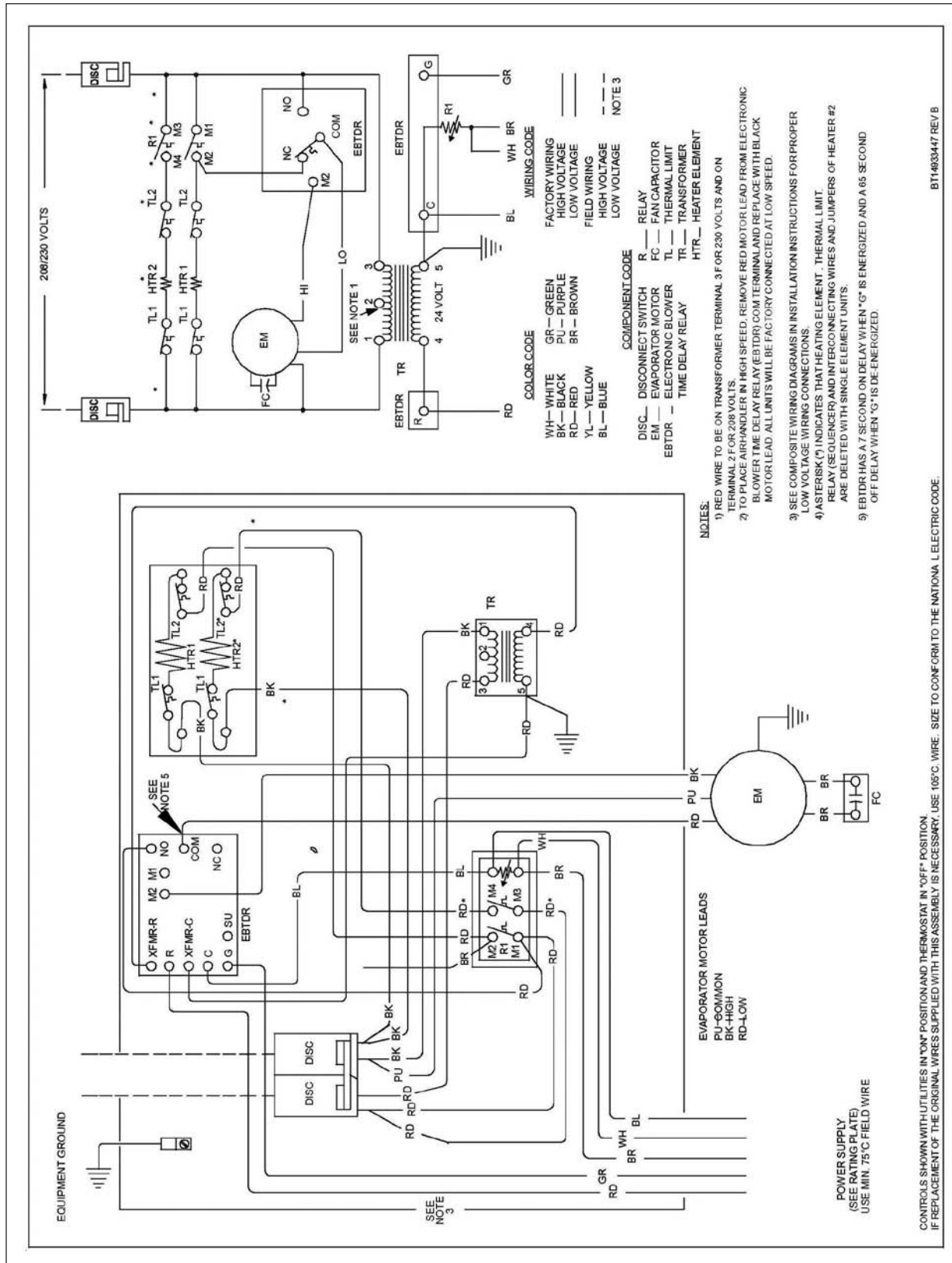
DIMENSIONS



SMALL CHASSIS (AWUF18/24)	
A	36"
B	20 ³ / ₁₆ "
C	16 ⁷ / ₈ "
D	16"
E	11"
Filter	14" x 18" x 1"

LARGE CHASSIS (AWUF30-37)	
A	36"
B	24"
C	21"
D	19 ⁷ / ₈ "
E	15 ⁵ / ₈ "
Filter (30/36)	16" x 20" x 1"
Filter (31/32/37)	18" x 20" x 1"

AWUF18/24/30/36 WIRING DIAGRAM



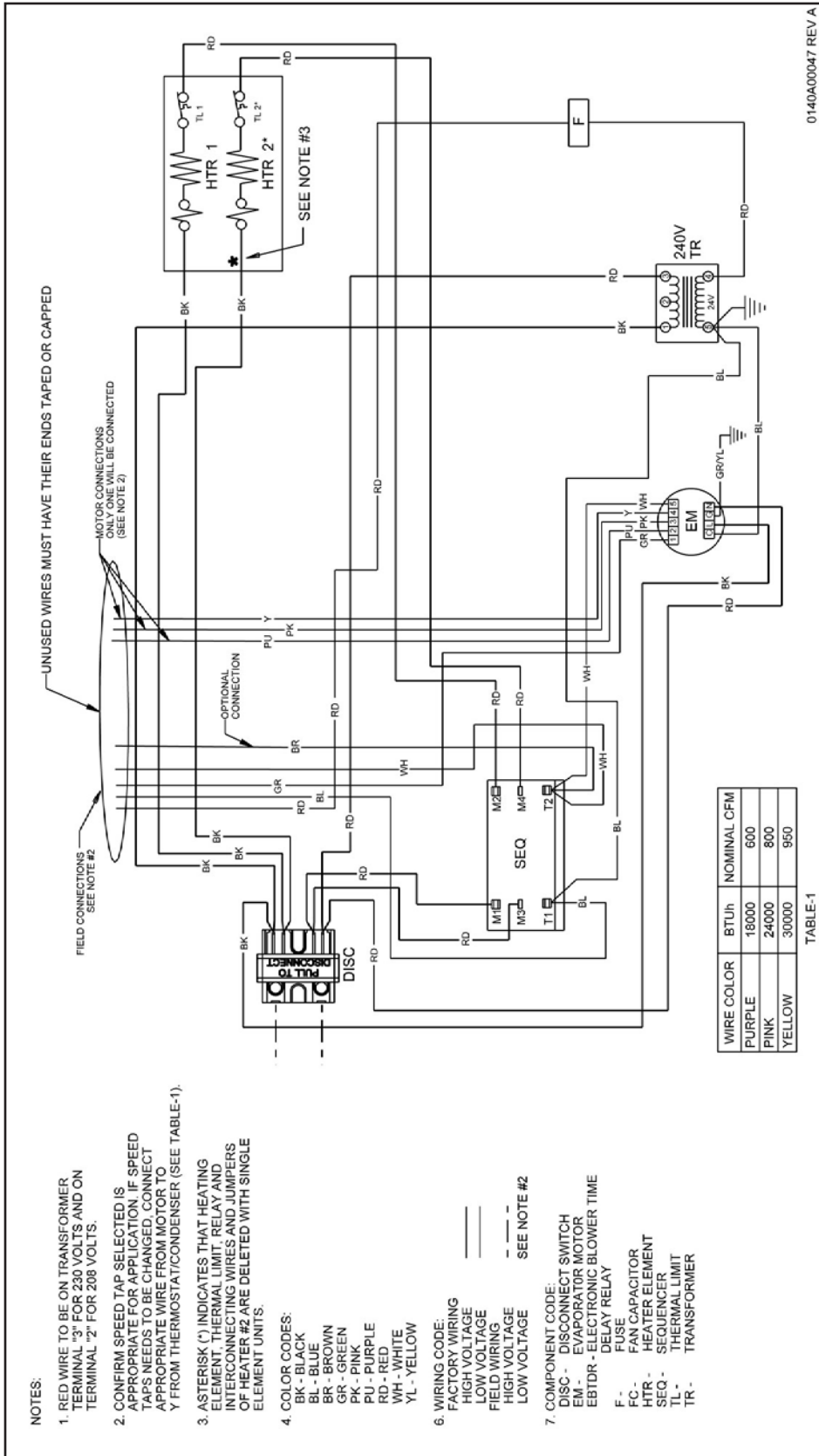
High Voltage: Disconnect all power before servicing or installing this unit. Multiple power sources may be present. Failure to do so may cause property damage, personal injury, or death.



WARNING

Wiring is subject to change. Always refer to the wiring diagram or the unit for the most up-to-date wiring.

AWUF31/32 WIRING DIAGRAM

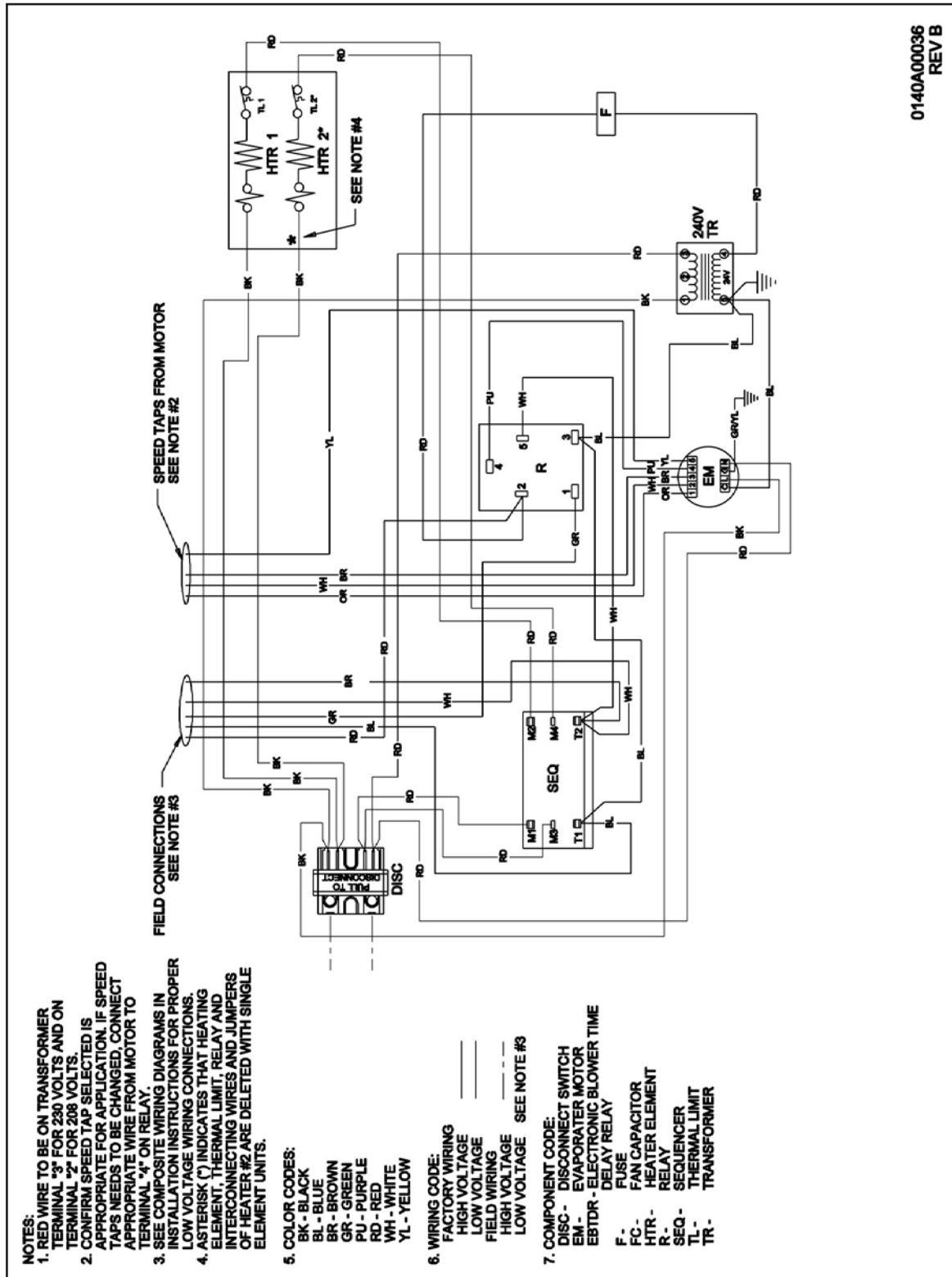


Wiring is subject to change. Always refer to the wiring diagram or the unit for the most up-to-date wiring.

WARNING

High Voltage: Disconnect all power before servicing or installing this unit. Multiple power sources may be present. Failure to do so may cause property damage, personal injury, or death.

AWUF37 WIRING DIAGRAMS



WARNING

High Voltage: Disconnect all power before servicing or installing this unit. Multiple power sources may be present. Failure to do so may cause property damage, personal injury, or death.

Wiring is subject to change. Always refer to the wiring diagram or the unit for the most up-to-date wiring.

NOTES