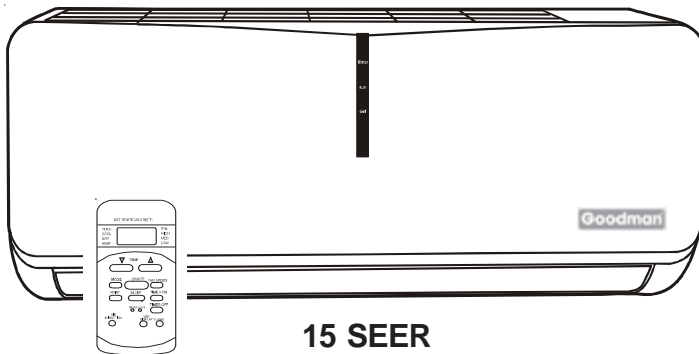


# INSTALLATION & OPERATIONS MANUAL

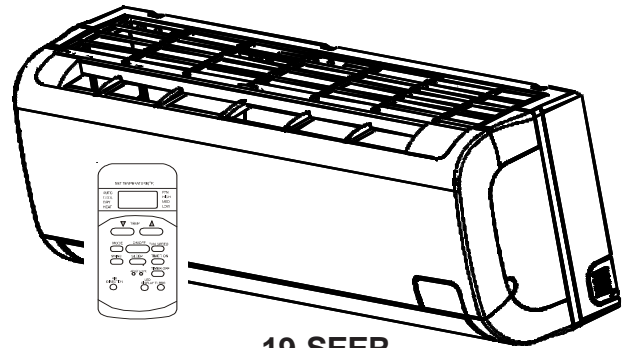
SPLIT TYPE ROOM AIR CONDITIONER AND HEAT PUMP MODELS

MSC/MSH 15 SEER 12,000 BTUH & 18,000 BTUH • 230/208 VOLT

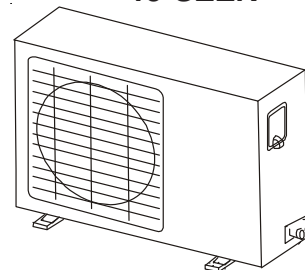
MSC/MSH 19 SEER 12,000 BTUH & 18,000 BTUH • 230/208 VOLT



15 SEER



19 SEER



OUTDOOR UNIT

## Important Safety Instructions

The following symbols and labels are used throughout this manual to indicate immediate or potential safety hazards. It is the owner's and installer's responsibility to read and comply with all safety information and instructions accompanying these symbols. Failure to heed safety information increases the risk of personal injury, property damage, and/or product damage.



### WARNING

#### HIGH VOLTAGE!

Disconnect ALL power before servicing. Multiple power sources may be present. Failure to do so may cause property damage, personal injury or death.



### WARNING

**ONLY** individuals meeting the requirements of an "Entry Level Technician", at a minimum, as specified by the Air Conditioning, Heating and Refrigeration Institute (AHRI) may use this information. Attempting to install or repair this unit without such background may result in product damage, personal injury, or death.



### WARNING

Goodman will not be responsible for any injury or property damage arising from improper service or service procedures. If you perform service on your own product, you assume responsibility for any personal injury or property damage which may result.



### WARNING

To prevent the risk of property damage, personal injury, or death, do not store combustible materials or use gasoline or other flammable liquids or vapors in the vicinity of this appliance.



### WARNING

To prevent heat related illness or death, do not use this device for unattended cooling of persons or animals unable to react to product failure. Failure of unattended air conditioner may result in extreme heat in area intended for cooling, causing heat-related illness or death of persons or animals.



### WARNING

To prevent the risk of property damage or personal injury, keep hands and foreign objects away from outlet port and intake grille while the unit is in operation.

## Shipping Inspection

Always keep the unit upright; laying the unit on its side or top may cause equipment damage. Shipping damage, and subsequent investigation is the responsibility of the carrier. Verify the model number, specifications, electrical characteristics, and accessories are correct prior to installation. The distributor or manufacturer will not accept claims from dealers for transportation damage or installation of incorrectly shipped units.



## CONTENTS

Important Safety Instructions .....	1
Shipping Inspection .....	1
Codes & Regulations .....	2
Installation Considerations .....	2
Rooftop Installations .....	3
Tools .....	3
Indoor Unit Installation .....	3
Outdoor Unit Installation .....	5
Refrigerant Pipe Connection .....	7
Electrical .....	8
Connect the Cable to the Indoor Unit .....	8
Connect the Cable to the Outdoor Unit .....	9
Leak Testing (Nitrogen or Nitrogen-Traced) .....	10
System Evacuation .....	10
Safe Refrigerant Handling .....	11
Safety Check .....	12
Test Running .....	12

## Codes & Regulations

This product is designed and manufactured to comply with national codes. Installation in accordance with such codes and/or prevailing local codes/regulations is the responsibility of the installer. The manufacturer assumes no responsibility for equipment installed in violation of any codes or regulations.

**The United States Environmental Protection Agency (EPA) has issued various regulations regarding the introduction and disposal of refrigerants. Failure to follow these regulations may harm the environment and can lead to the imposition of substantial fines.** Should you have any questions please contact the local office of the EPA.

## Installation Considerations

To ensure that the unit operates safely and efficiently, it must be installed, operated, and maintained according to these installation and operating instructions and all local codes and ordinances, or, in their absence, with the latest edition of the National Electrical Code. The proper installation of this unit is described in the following sections. Following the steps in the order presented should ensure proper installation.

**CAUTION**  
**MOUNT WITH THE LOWEST MOVING PARTS AT LEAST 2.4m (8 ft.) ABOVE FLOOR OR GRADE LEVEL.**

### INDOORUNIT

**CAUTION**  
**To avoid property damage, personal injury or death due to electrical shock, do not use an extension cord with this unit.**

**NOTE:** Graphics are representations of the unit and may differ slightly from your actual unit.

- Do not expose unit to excessive heat.

- Select a location where there are no obstructions in front or the sides of the unit.
- Be sure that placement of the unit allows adequate condensate drainage.
- Do not install near a doorway.
- Ensure that the spaces indicated by the arrows is from the wall, ceiling or other obstacles (See minimum clearances required in Figure 1.)
- Noise prevention should be considered when installing the unit.
- Do not place the unit closer than 3 ft. (1m) to a TV or radio.
- Consideration should be given to the distance from furniture, curtains, or other obstructions that will interfere with the unit's airflow.
- Do not expose the unit to direct sunlight. Exposure will fade the cabinet and affect its appearance. Sunlight prevention should be considered in placing the unit.

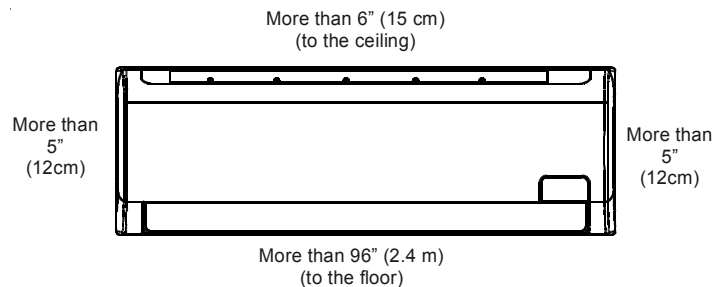


Figure 1

### OUTDOORUNIT

When placing the outdoor unit, consider any obstructions that may constrict the air inlet or outlet. (See Figure 2).

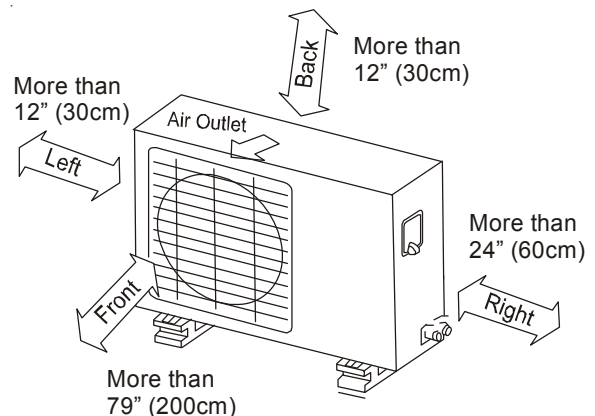


Figure 2

- Locate the outdoor unit in a location that will not obstruct discharge air from the condenser.
- Do not install outdoor unit in a corrosive environment.
- Keep the clearances from the wall or other obstacles as indicated by the arrows on Figure 2.

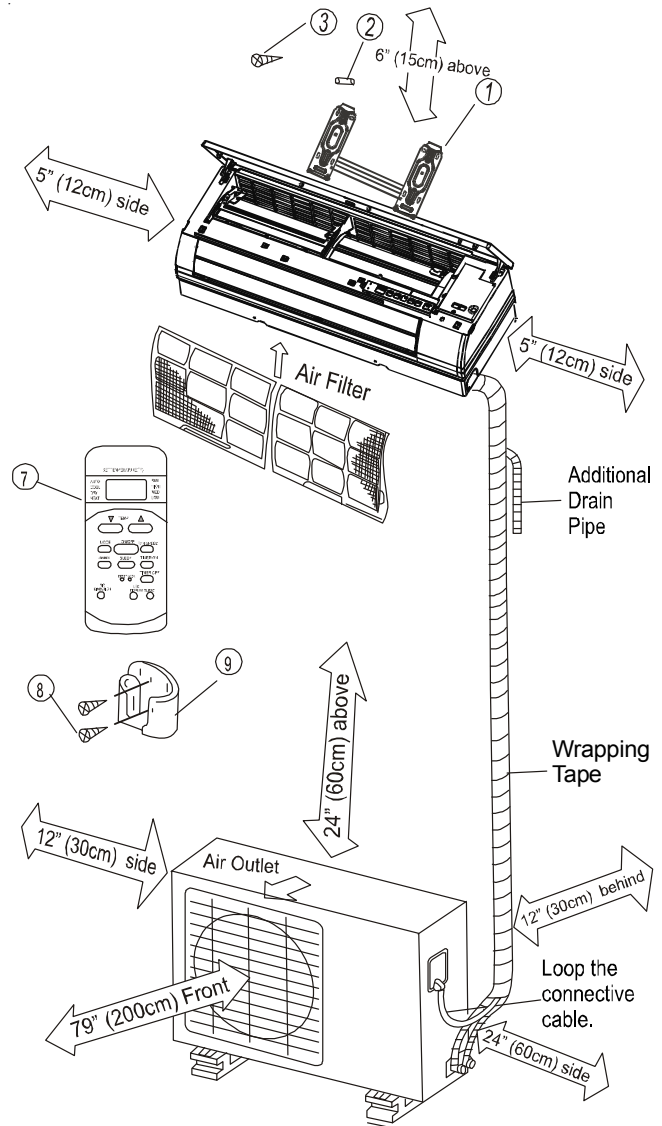
- Do not place animals or plants in the path of the air inlet or outlet.
- Select a location where noise, vibration and hot discharged air will not be an issue.
- Do not install where high frequency equipment is used (wireless equipment, welding machine, medical facility) as it may interfere with the unit's operation.

## Rooftop Installations

If it is necessary to install the outdoor unit on a roof structure, ensure the roof structure can support the weight and that proper consideration is given to the weather-tight integrity of the roof. Since the unit can vibrate during operation, sound vibration transmission should be considered when installing the unit. Vibration absorbing pads or springs can be installed between the condensing unit legs or frame and the roof mounting assembly to reduce noise vibration.

## Tools

Level gauge	Gas leak detector
Screwdriver	Vacuum pump
Electric drill, hole core drill 2.5" (Φ65mm)	Gauge manifold
Flaring tool set	Users manual
Torque wrenches	Thermometer
1.8kgf.m 13 ft-lb	Multimeter
4.2kgf.m 30 ft-lb	Pipe cutter
5.5kgf.m 40 ft-lb	Measuring tape
6.6kgf.m 48 ft-lb	Spanner (half union)
Hexagonal wrench (4mm)	



**IMPORTANT NOTE:** Mount the indoor unit high enough on the wall so it is out of the reach of children. To prevent the risk of property damage or personal injury, keep hands and foreign objects away from the outlet port and intake grille while the unit is in operation.

Figure 3

**NOTE:** Copper lines must be insulated independently.

### IMPORTANT NOTES:

- A stud finder should be used to locate studs and prevent unnecessary damage to the wall.
- A minimum pipe run of 10' (3 meters) is required to minimize vibration and excessive noise.

## Indoor Unit Installation

### Installation of Mounting Bracket

1. Install the mounting bracket horizontally and securely to the wall, allowing room for access on either side of the unit.
2. If the wall is constructed of brick, concrete or similar material, drill eight (8) 3/16" (5 mm) diameter holes in the wall. Insert the clip anchor for appropriate mounting screws.

## PARTS / ACCESSORIES

No.	Description	Quantity
1	Installation Plate	1
2	Clip Anchor	5-8 (depending on model)
3	Self-tapping Screw A ST3.9x25	5-8 (depending on model)
4	Seal (for cooling & heating models only)	1
5	Drain joint	1
6	*Connection Pipe Assembly Liquid Side 1/4" (Φ 6.35) 3/8" (Φ 9.52) Gas Side 3/8" (Φ 9.52) 1/2" (Φ12.7) 5/8" (Φ16.0)	*See Note
7	Remote Control	1
8	Self-tapping Screw B ST2.9x10	2
9	Remote Control holder	1

\*Parts must be purchased separately. Consult dealer for pipe sizes. (Minimum pipe wall thickness of 1/32" (0.7 mm) is recommended)

**NOTE:** Parts listed are provided with the unit except where noted. Any additional parts required must be purchased separately.

3. Install the mounting bracket on the wall with eight (8) type "A" screws.

**NOTE:** Install the mounting bracket and drill the holes in the wall according to the wall structure and the corresponding mounting points on the mounting bracket. (The mounting brackets vary according to the model.)

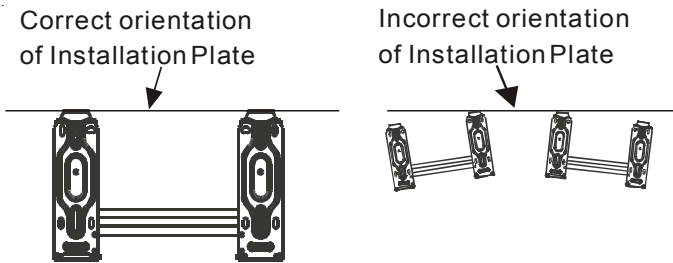


Figure 4

4. Determine the hole positions according to the diagram detailed in Figures 5A & 5B (15 SEER) and 5C (19 SEER). Drill one (1) 2.5" hole ( $\phi 65$ mm), slanting slightly to the outside.

**NOTE:** Always use wall hole conduit when drilling metal grid, metal plate, etc.

**15 SEER MODELS**

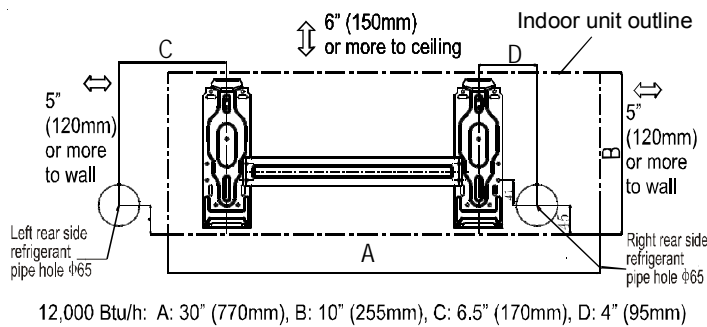


Figure 5A - 12,000 Btu/h

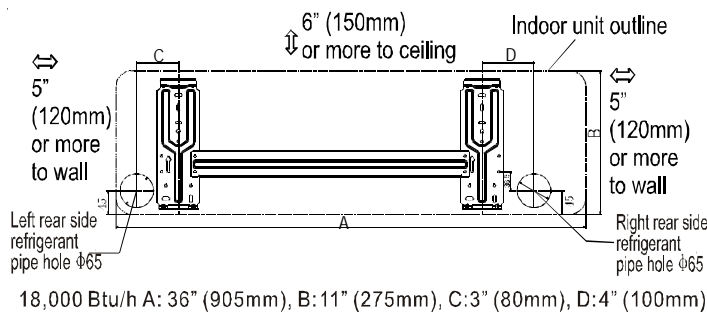


Figure 5B - 18,000 Btu/h

**19 SEER MODELS**

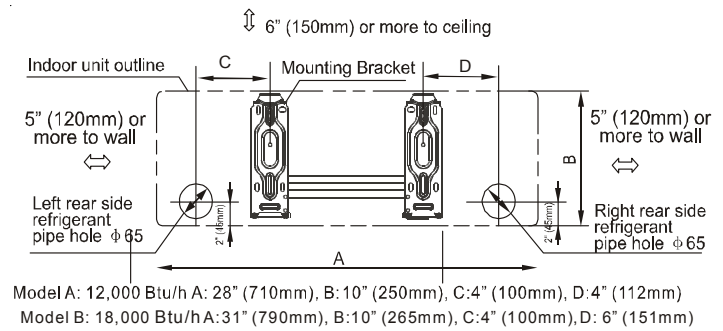


Figure 5C - 12,000 Btu/h & 18,000 Btu/h

**Refrigerant Piping & Condensate Piping Installation:**

5. Drain hose should be installed with a slight downward slope. (See Figure 6.)

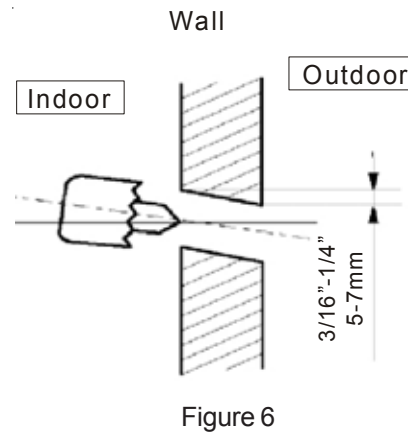


Figure 6

Drain hose should NOT be installed as shown in Figure 7.

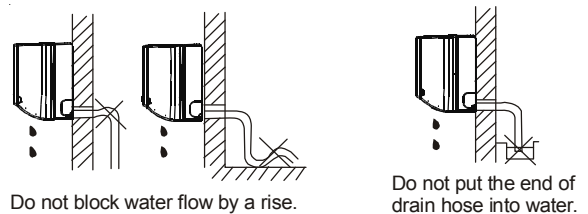


Figure 7

6. When connecting extension drain hose, insulate the connecting part of the extension drain hose with a shield pipe. Do not allow the drain hose to be slack.

7. **REFRIGERANT PIPING INSTALLATION:** For the left-hand and right-hand piping, remove the pipe cover from the side panel. (Figure 8.)

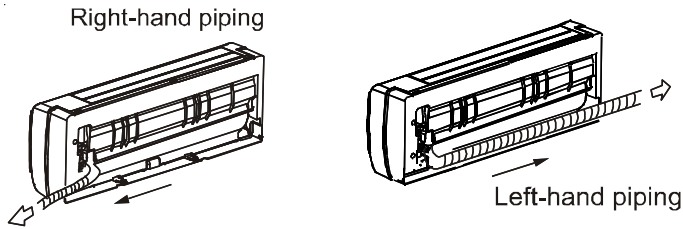


Figure 8

8. For the rear right-hand and rear left-hand piping, install as shown in Figure 9.

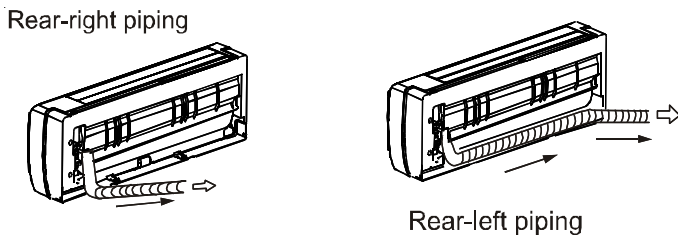


Figure 9

To make refrigerant tube connections, refer to Tightening Connection in the Refrigerant Piping Connection.

### Indoor Unit Installation

9. Pass the piping through the hole in the wall.
10. Place the upper claw on the back of the indoor unit on the upper hook of the installation plate. Move the indoor unit from side to side to ensure it is securely mounted. (See Figure 10).

**NOTE:** By placing cushioning material between the indoor unit and the wall, placement of piping is easier (see Figure 11). REMOVE CUSHIONING MATERIAL AFTER PIPING IS COMPLETED.

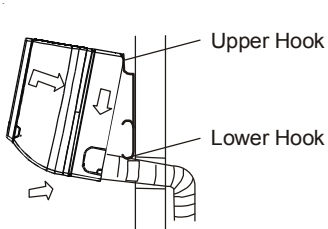


Figure 10

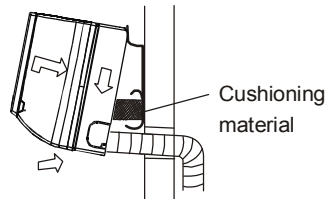


Figure 11

11. Push the lower part of the indoor unit up on the wall. Move it from side to side, up and down to ensure the unit is hooked securely.

### Piping and wrapping

Evenly bundle the tubing, connecting cable and drain hose securely with tape as shown in Figure 12.

Because the condensed water from the rear of the indoor unit gathers in the drain pan and is piped out of the room, do not put anything else in the drain pan.

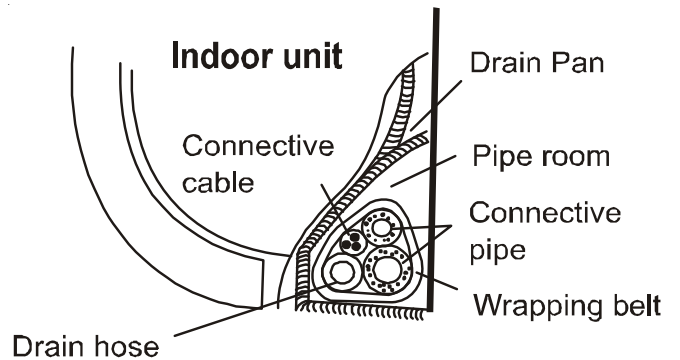


Figure 12

### IMPORTANT NOTES:

- Indoor unit must be connected before the outdoor unit.
- Drain hose should not be allowed to become slack.
- Insulate both the auxiliary pipings.
- Ensure that the drain hose is positioned at the lowest side of the bundled tubing. Positioning it at the upper side can cause the drain pan to overflow inside the unit.
- Drain hose should be sloped downward to ensure condensate will drain correctly.



### CAUTION

**Do not allow piping to hold indoor unit away from the wall.  
Never intertwine power wiring and other wiring.**

### Outdoor Unit Installation

#### Outdoor Installation precautions

- Install the outdoor unit on a rigid base to prevent noise level and vibration.
- Place the outdoor unit in such a manner to minimize restriction of discharge air.

Protect the unit from prevailing winds. To ensure the unit operates correctly, place the unit lengthwise along a wall or use a dust or shield plate.



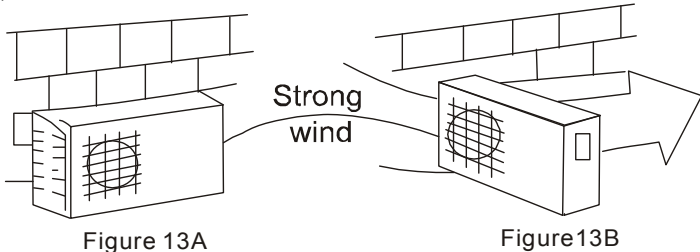


Figure 13A

In strong wind conditions, install lengthwise against a wall.

Figure 13B

In strong wind conditions, do NOT install as above.

- If a wall mount installation is required, the installation bracket should meet the requirement in the installation bracket diagram and the wall should be able to support the installation.
- Be sure there are no obstacles blocking air discharge.

The installation wall should be constructed of brick, concrete or another surface of equal strength to hold the unit safely. Make sure the connections to the wall, bracket and unit are firmly seated and there are no obstructions to the airflow.

### Anchoring the outdoor unit

The unit should be tightly anchored, horizontally, with a nut and bolt ( $\phi$  10 or  $\phi$  8) on a concrete or similarly rigid, stable surface.

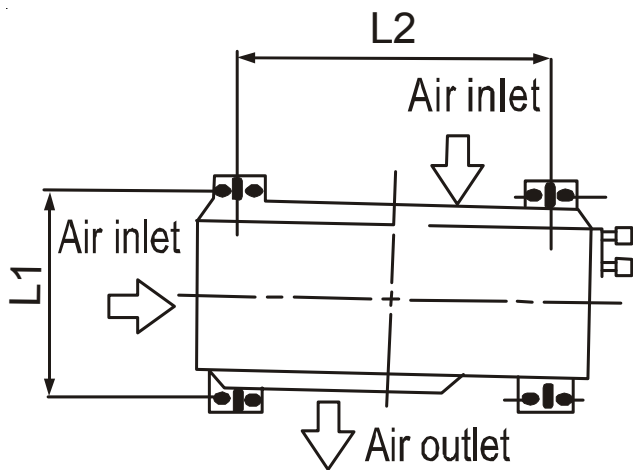


Figure 14

Model	Outdoor Unit Dimensions	Mounting Dimensions	
	Inches/mm (L1xHxW1)	L2 (mm)	L1 (mm)
MS*12*E15	31" x 21" x 10"	21.5"	11"
	780 x 540 x 250	549	276
MS*18*E15	30" x 23" x 11"	21"	11.5"
	760 x 590 x 285	530	290
MS*12*E19	30" x 23" x 11"	21"	11.5"
	760 x 590 x 285	530	290
MS*18*E19	33" x 27.5" x 12.5"	22"	13"
	840 x 700 x 320	560	335

### Drain joint installation

**NOTE:** Drain joints differ slightly according to the different outdoor units. Inspect your unit and use the installation instructions for your specific unit.

#### For drain joints with seals (Figure 15A):

- Slide the seal onto the drain joint and insert into the base pan hole of the outdoor unit. Rotate 90° to secure (see Figure 16).

#### For drain joints without seals (Figure 15B):

- Insert the drain joint into the base pan hole of the outdoor unit until it remains fixed, accompanied by a clicking sound.

**NOTE:** For protection against water condensation off the outdoor unit during heating mode, connect the drain joint with an extension drain hose (provided by the installer).

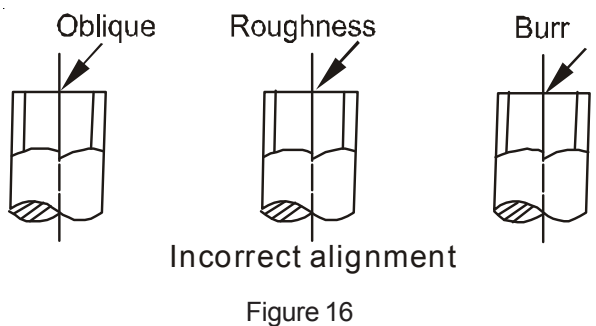
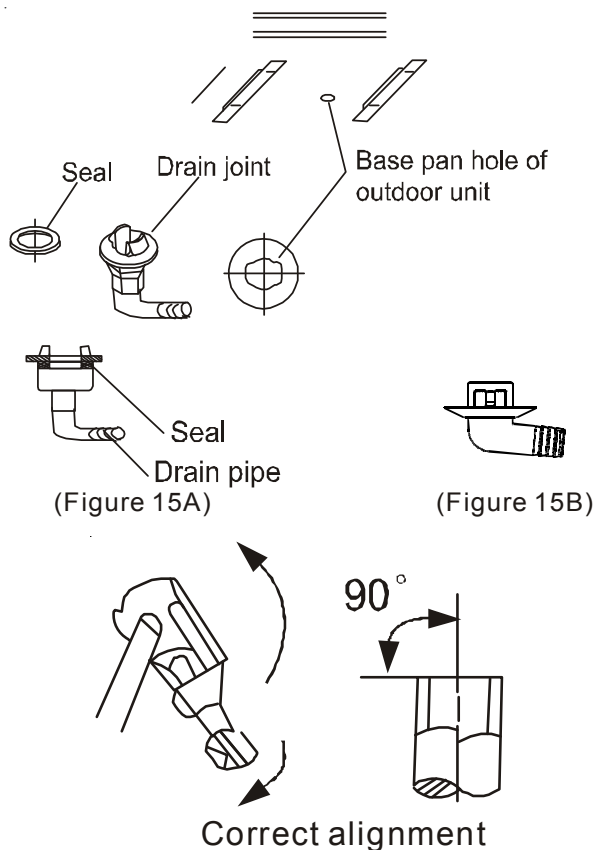


Figure 16

## Refrigerant Pipe Connection

**NOTE:** The main cause of refrigerant leaks is due to defective flare connections.

Make flare connections using the following procedure:

1. Remove the flare nuts attached to the indoor and outdoor units. Before flaring, slide them over the tubing. It is not possible to put them on after flaring tubes.
2. Insert tube in flare tool to measurement "A" in chart. Flare tubing as shown in Figure 19. Make sure flare is free of burrs and completely formed to make a leak proof joint.

**NOTE:** In order to avoid dropping burrs into the tubing, angle the end of the copper tube/pipe in a downward direction as you remove the burrs.

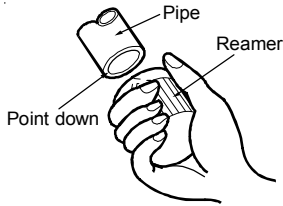


Figure 17

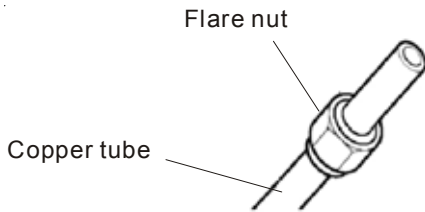


Figure 18

4. Flare Connections: Firmly hold the copper pipe in a die with the dimensions as in the following tables.

### 15 SEER & 19 SEER

Model	Pipe size		Standard Length ft. (m)	Max. Elevation ft. (m)	Max. Length ft. (m)	Additional Refrigerant oz./ft. (g/m)
	Gas	Liquid				
MSC12*	1/2" (Φ12.7)	1/4" (Φ6.35)	16.5 (5)	26.25 (8)	66 (20)	0.3 (20)
MSH12*	3/8" (Φ9.52)	1/4" (Φ6.35)	16.5 (5)	26.25 (8)	66 (20)	0.3 (20)
MSC18* MSH18*	3/8" (Φ9.52)	1/4" (Φ6.35)	16.5 (5)	33 (10)	82 (25)	0.3 (20)
	1/2" (Φ12.7)	1/4" (Φ6.35)	16.5 (5)	33 (10)	82 (25)	0.3 (20)

Outdoor Diameter (Inches & mm)	A (inches & mm)	
	Max	Min
1/4" (6.35)	3/64" (1.3)	1/32" (0.7)
3/8" (9.52)	1/16" (1.6)	3/64" (1.0)
1/2" (12.7)	1/16" (1.8)	3/64" (1.0)
5/8" (16.0)	3/32" (2.2)	3/32" (2.0)

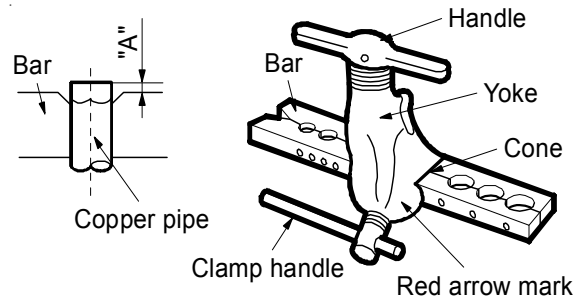


Figure 19

5. Tightening the connection:

- Align the center of the pipes and finger-tighten the flare nut. Using a spanner and torque wrench (Figures 20 & 21) continue tightening the flare nut until the nut is firmly on the pipe.

Outdoor Diameter (mm)	Tightening Torque	Additional Tightening Torque
1/4" (Φ 6.35)	11 lb.-ft. 1500 (N-cm)	11.8 lb.-ft. 1600 (N-cm)
3/8" (Φ 9.52)	18.5 lb.-ft. 2500 (N-cm)	19.2 lb.-ft. 2600 (N-cm)
1/2" (Φ12.7)	26 lb.-ft. 3500 (N-cm)	26.5 lb.-ft. 3600 (N-cm)
5/8" (Φ16.0)	33 lb.-ft. 4500 (N-cm)	34.5 lb.-ft. 4700 (N-cm)

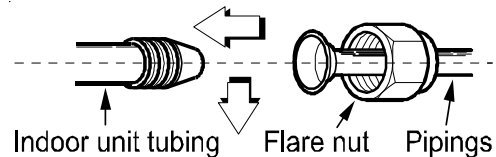


Figure 20

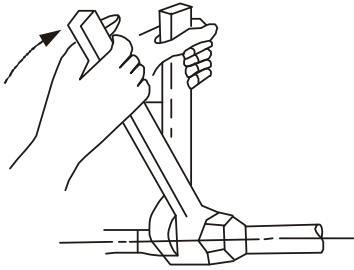


Figure 21

**CAUTION**

**Do not over-tighten. Excessive torque can break the nut and/or crimp the pipe.**

- All wiring must comply with local and national electrical codes. Installation should be done by qualified electricians.

**CAUTION**

**To avoid the risk of personal injury, wiring to the unit must be properly polarized and grounded.**

- This unit should have a individual branch circuit .

**NOTE:** The wire gauge and the current rating of the fuse or breaker are determined by the minimum circuit ampacity and maximum overcurrent protection device that is indicated on the nameplate, located on the side panel of the unit. Refer to the nameplate before selecting the wire, fuse and/or breaker.

**Electrical**

**WARNING**

**ONLY** individuals meeting the requirements of an "Entry Level Technician", at a minimum, as specified by the Air Conditioning, Heating and Refrigeration Institute (AHRI) may use this information. Attempting to install or repair this unit without such background may result in product damage, personal injury, or death.

**Connect the Cable to the Indoor Unit**

**NOTE:** Before performing any electrical work, turn off the main power to the system.

**WARNING**

**HIGH VOLTAGE!**  
**Disconnect ALL power before servicing. Multiple power sources may be present. Failure to do so may cause property damage, personal injury or death.**



**WARNING**

**HIGH VOLTAGE!**  
**Disconnect ALL power before servicing or installing this unit. Multiple power sources may be present. Failure to do so may cause property damage, personal injury or death due to electric shock. Wiring must conform with NEC or CEC and all local codes. Undersized wires could cause poor equipment performance, equipment damage or fire.**



1. The inside and outside connecting wire can be connected without removing the front grille.
2. Connecting wire between the indoor unit and outdoor unit should be approved, polychloroprene sheathed, flexible cord, type designation H07RN-F or heavier.
3. Lift up the indoor unit panel, remove the electrical box cover by loosening the screw as show in Figure 22.

**IMPORTANT NOTES:**

- If there are safety issues concerning the power supply, the unit should not be connected until safety issues are resolved.
- Ensure that the electrical power supply is sufficient to safely power and run the unit.
- Power voltage should range for 90% - 110% of the rated voltage.
- Main power switch and surge protector should be 1.5 times the capacity of the maximum current of the unit and should be installed in the power circuit.
- The unit should be well grounded.
- Connect all wiring as shown in the Electrical Wiring Diagram located on the panel of the outdoor unit.

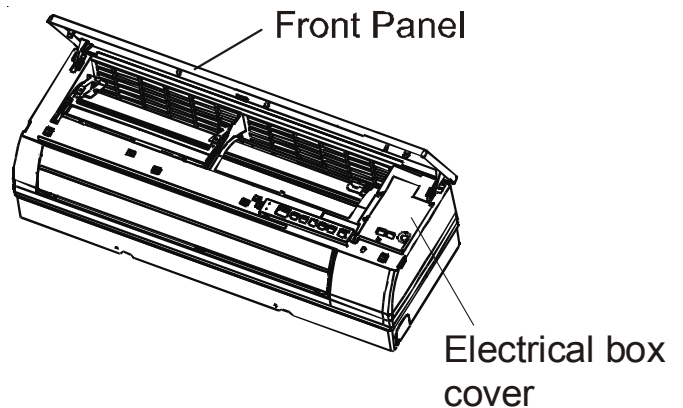


Figure 22A



4. Ensure the color of the wires of the outdoor unit and the terminal numbers are the same as the indoor unit's. Figure 22B.

#### Terminal block of indoor unit

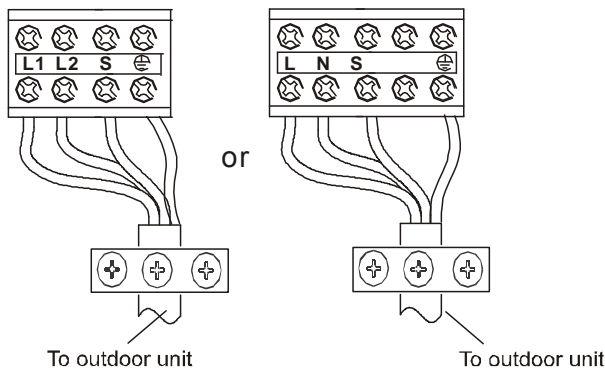


Figure 22B

5. Wrap the wires not connected with terminals with insulation tape, so they will not touch any electrical components. Secure the wires onto the control board with the cord clamp.

### Connect the Cable to the Outdoor Unit

1. Remove the electrical control board cover from the outdoor unit by loosening the screw as shown in Figure 23A.

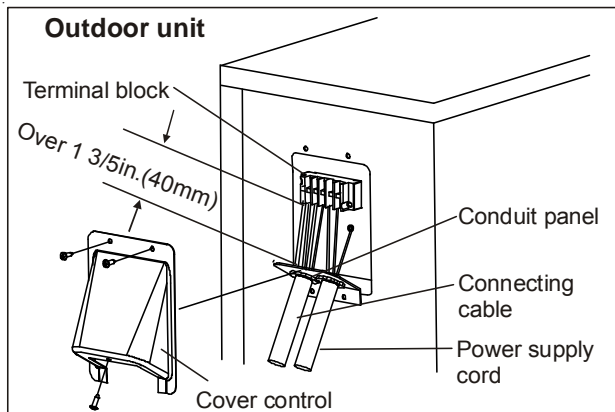
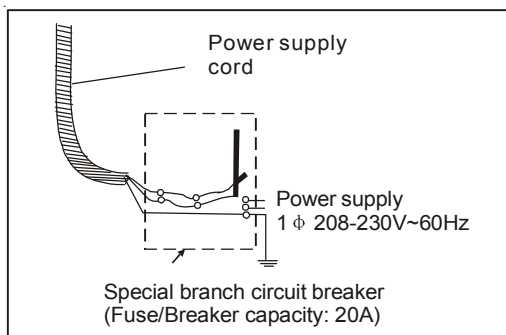


Figure 23A

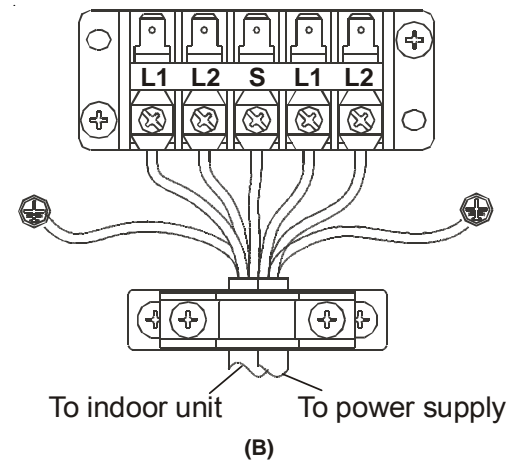
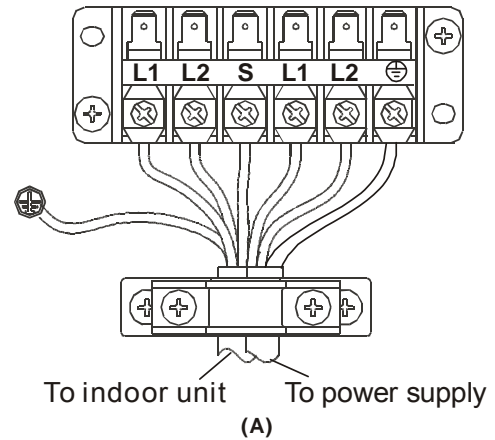


**NOTE:** Cord clamp must be of correct size to prevent loosening or cords slipping from the clamp. Select proper cord diameter to fill the holes on the cord clamp.

Figure 23B

2. Remove caps on the conduit panel.
3. Temporarily mount the conduit tubes (not included) on the conduit panel.
4. Connect the power supply and low voltage lines to the corresponding terminals on the terminal block. (See Models A and B.)

#### Terminal block of outdoor unit



5. Ground the unit in accordance with local codes.
6. Be sure to size each wire and allow several inches more than the required length for wiring the unit.
7. Using lock nuts, secure the conduit tubes.

### **WARNING**

Comply with all local codes when running electrical wire from the indoor to the outdoor unit. All wires should be firmly connected and no wires should touch the refrigerant tubing, compressor or any moving parts. Loose wiring may cause the terminal to overheat, result in the unit's malfunction or create a fire hazard. A means of disconnecting the unit must be provided and located where it is easily accessible.

**IMPORTANT NOTES:**

After the above conditions have been met, ensure the following notes are met:

1. A dedicated power circuit must be in place for the unit. Wire the unit as shown in the circuit wiring diagram that is posted inside the control cover.
2. Upon receipt of the unit, examine the screws fastening the wiring in the casing of the electrical fittings, since they may have become loose during transit. All must be fastened securely to prevent arcing.
3. Specification of power source.
4. Confirm electrical capacity is sufficient for operation of the unit.
5. Maintain the starting voltage at more than 90% of the rated voltage marked on the name plate.
6. Confirm the wire gauge is as specified in the power source specification.
7. Always install an earth leakage circuit breaker in a wet or moist area.
8. A drop in voltage may be caused by the vibration of a magnetic switch, causing damage to the contact point, fuse breakage, disturbance of the normal function of the overload.
9. The means to disconnect from a power supply should be incorporated in the fixed wiring and have an air gap contact separation of at least 1/8" (3 mm) in each active (phase) conductor.

**Leak Testing (Nitrogen or Nitrogen-Traced)**

Pressure test the system, using dry nitrogen and soapy water to locate any leaks in the system. If you wish to use a leak detector, charge the system to 10 psi using the appropriate refrigerant, then use nitrogen to finish charging the system to working pressure. Apply the detector to suspect areas. If leaks are found, repair them. After repair, repeat the pressure test. If no leaks exist, proceed to System Evacuation.

**System Evacuation**

Condensing unit liquid and suction valves are closed to contain the charge within the unit. The unit is shipped with the valve stems closed and caps installed. **Do not open valves until the system is evacuated.**

1. Connect the vacuum pump with 250 micron capability to the service valves.

2. Evacuate the system to 250 microns or less using suction **AND** liquid service valves. Using both valves is necessary as some compressor create a mechanical seal separating the sides of the system.
3. Close the pump valve and hold vacuum for 10 minutes. Typically, pressure will rise during this period.

**NOTES:**

- If the pressure rises to 1000 microns or less and remains steady, the system is considered leak-free; proceed to start-up.
- If pressure rises above 1000 microns but hold steady below 2000 microns, moisture and/or non-condensables may be present or the system may have a small leak. Return to step 2. If the same result is encountered, check for leaks as previously indicated and repair as necessary, then repeat evacuation.
- If pressure rises above 2000 microns, a leak is present. Check for leaks as previous indicated and repair as necessary then repeat evacuation.

Model	Connective Pipe Length	Evacuation Method	Additional Amount of Refrigerant to be Charged
15 SEER	Less than 24.5' (7.5m)	Use Vacuum Pump	---
	More than 24.5' (7.5m)	Use Vacuum Pump	R410A (Pipe Length-5) x 0.3 oz./ft. (20 g/m)
19 SEER	Less than 16' (5m)	Use Vacuum Pump	---
	More than 16' (5m)	Use Vacuum Pump	R410A (Pipe Length-5) x 0.3 oz./ft. (20 g/m)

**Pipe Length and Refrigerant Amount**

- When relocating the unit to another place, perform the evacuation using a vacuum pump.
- Refrigerant added to the unit must be in liquid form. (Does not apply to units using R-22.)

## Safe Refrigerant Handling

While these items will not cover every conceivable situation, they should serve as a useful guide.

### WARNING

Refrigerants are heavier than air. They can "push out" the oxygen in your lungs or in any enclosed space. To avoid possible difficulty in breathing or death:

- Never purge refrigerant into an enclosed room or space. By law, all refrigerants must be reclaimed.
- If an indoor leak is suspected, thoroughly ventilate the area before beginning work.
- Liquid refrigerant can be very cold. To avoid possible frostbite or blindness, avoid contact and wear gloves and goggles. If liquid refrigerant does contact your skin or eyes, seek medical help immediately.
- Always follow EPA regulations. Never burn refrigerant, as poisonous gas will be produced.

### WARNING

To avoid possible explosion:

- Never apply flame or steam to a refrigerant cylinder. If you must heat a cylinder for faster charging, partially immerse it in warm water.
- Never fill a cylinder more than 80% full of liquid refrigerant.
- Never add anything other than R-22 to an R-22 cylinder or R-410A to an R-410A cylinder. The service equipment used must be listed or certified for the type of refrigerant used.
- Store cylinders in a cool, dry place. Never use a cylinder as a platform or a roller.

### WARNING

To avoid possible explosion, use only returnable (not disposable) service cylinders when removing refrigerant from a system.

- Ensure the cylinder is free of damage which could lead to a leak or explosion.
- Ensure the hydrostatic test date does not exceed 5 years.
- Ensure the pressure rating meets or exceeds 400 lbs.

When in doubt, do not use cylinder.

*Use caution when handling the packed valve:*

- Open the valve stem unit it comes in contact against the stopper. Do not attempt to open further.

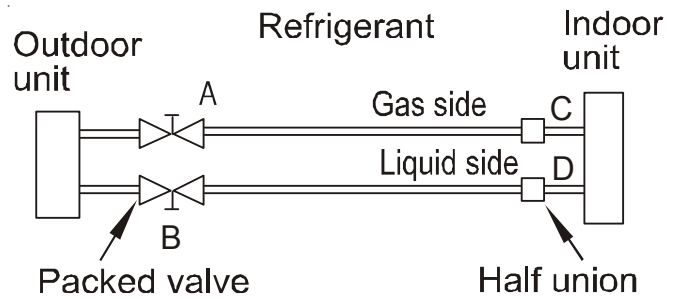


Figure 24

- Securely tighten the valve stem cap with a spanner or similar tool.
- See tightening torque table in Tightening Connection section.

## Safety Check

After completing the electrical installation:

1. Grounding: After grounding the unit, measure the grounding resistance by visually inspecting the unit and by using a grounding resistance tester, making sure the grounding resistance is less than 4.0 ohms.
2. Electrical leakage check (to be performed during operation): During the test operation after complete installation of the unit, the qualified installer may use the electroprobe and multimeter to perform the electrical leakage check. Turn off the unit immediately if leakage occurs.

## Test Running

After completing the gas leak check at the flare nut connections and electrical safety check, perform the test operation.

- Ensure all tubing and wiring have been properly connected.
  - Make sure both the gas and liquid side service valves are fully open.
1. Connect the power; press the ON/OFF button on the remote control to turn the unit on.
  2. Using the MODE button, select COOL, HEAT, AUTO and FAN to ensure all the functions are operating.

3. When the ambient temperature is lower than 63°F (17°C), the unit cannot be controlled by the remote control. To run in cooling mode, operation can be done manually. Manually controlling the unit is to be done only when the remote control is disabled or maintenance is required.
- Grasp the panel sides and lift up the panel to an angle where it remains fixed and a clicking sound is heard.
  - Press the manual control button to select AUTO or COOL. The unit will operate under forced AUTO or COOL mode (see User's manual for more details.)

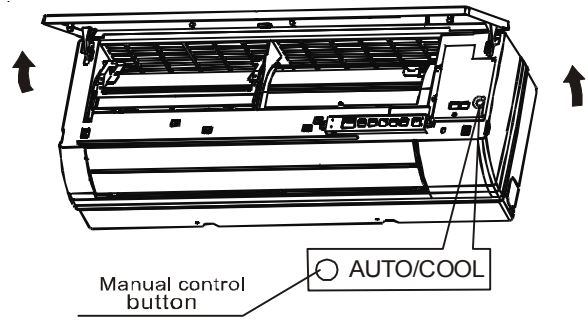


Figure 25

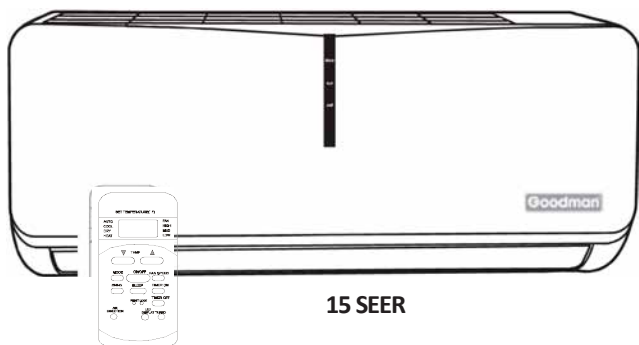
4. Test operation should last approximately 30 minutes.

# MANUEL D'INSTALLATION ET D'UTILISATION

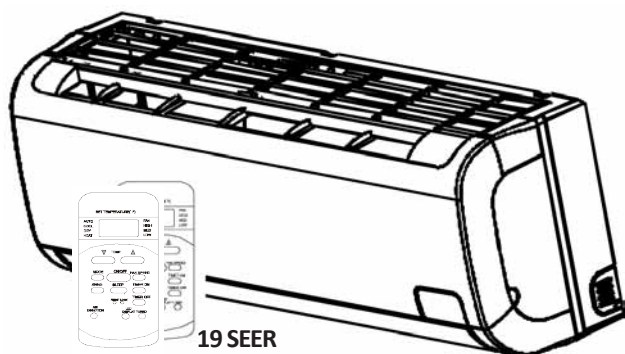
CLIMATISEUR À DEUX BLOCS ET MODÈLES DE POMPES À CHALEUR

MSC/MSH 15 SEER 12 000 BTU/H ET 18 000 BTU/H • 230/208 VOLTS

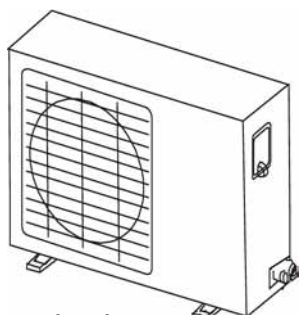
MSC/MSH 19 SEER 12 000 BTU/H ET 18 000 BTU/H • 230/208 VOLTS



15 SEER



19 SEER



UNITÉ EXTÉRIEURE

## TABLE DES MATIÈRES

Instructions de sécurité importantes .....	1
Inspection de livraison .....	1
Codes et règlementations.....	2
Considérations liées à l'installation .....	2
Installations sur toiture .....	3
Outils.....	3
Installation de l'unité intérieure.....	3
Installation de l'unité extérieure .....	5
Connexion des conduites de réfrigérant.....	6
Branchements électriques.....	7
Connexion du câble à l'unité intérieure.....	7
Connexion du câble à l'unité extérieure.....	8
Test de fuite (azote ou traces d'azote) .....	9
Évacuation du circuit.....	9
Manipulation du réfrigérant en toute sécurité.....	9
Contrôles de sécurité .....	10
Effectuer des tests.....	10

### INSTRUCTIONS DE SÉCURITÉ IMPORTANTES

Les symboles et étiquettes suivants sont utilisés tout au long de ce manuel pour indiquer les risques potentiels ou immédiats liés à la sécurité. Le propriétaire et l'installateur sont responsables de lire et de respecter toutes les informations et instructions liées à la sécurité qui accompagnent ces symboles. Le non-respect des informations de mise en garde liées à la sécurité augmente le risque de blessures personnelles, de dommages matériels et/ou d'endommagement du produit.



#### AVERTISSEMENT

##### HAUTE TENSION !

DÉCONNECTEZ TOUTES LES ALIMENTATIONS ÉLECTRIQUES AVANT D'EFFECTUER UN ENTRETIEN. IL PEUT Y AVOIR DE MULTIPLES SOURCES D'ALIMENTATION. NE PAS LE FAIRE PEUT ENTRAÎNER DES DOMMAGES MATÉRIELS, DES DOMMAGES CORPORELS OU LA MORT.



#### AVERTISSEMENT

SEULES LES PERSONNES SATISFAISANT LES EXIGENCES D'UN « TECHNICIEN » TELLES QUE SPÉCIFIÉES PAR L'INSTITUT SUR LE CONDITIONNEMENT DE L'AIR, LE CHAUFFAGE, ET LA RÉFRIGÉRATION (AHRI EN ANGLAIS) PEUVENT UTILISER CES INFORMATIONS. TENTER D'INSTALLER OU DE RÉPARER CET ÉQUIPEMENT SANS UNE TELLE QUALIFICATION PEUT ENTRAÎNER DES DOMMAGES DU PRODUIT, DES DOMMAGES CORPORELS, OU LA MORT.



#### AVERTISSEMENT

GOODMAN NE SERA PAS TENU RESPONSABLE DES BLESSURES OU DÉGÂTS ÉVENTUELS FAISANT SUITE À UN ENTRETIEN OU À DES PROCÉDURES D'ENTRETIEN INADAPTÉS. SI VOUS EFFECTUEZ L'ENTRETIEN DE VOTRE PROPRE PRODUIT, VOUS ASSUMEZ LA RESPONSABILITÉ DE TOUTE BLESSURE PERSONNELLE OU DE TOUT DOMMAGE MATÉRIEL QUI POURRAIT SURVENIR.







### AVERTISSEMENT

POUR ÉVITER LE RISQUE DE DOMMAGES MATÉRIELS, DE BLESSURES OU DE DÉCÈS, N'ENTREPOSEZ PAS DE MATÉRIEAUX COMBUSTIBLES ET N'UTILISEZ PAS D'ESSENCE OU D'AUTRES LIQUIDES OU VAPEURS INFLAMMABLES À PROXIMITÉ DE CET APPAREIL.



### AVERTISSEMENT

AFIN D'ÉVITER TOUTE MALADIE OU DÉCÈS LIÉ À LA CHALEUR, N'UTILISEZ PAS CET APPAREIL DANS LE BUT DE RAFFRAÎCHIR DES PERSONNES OU DES ANIMAUX LAISSÉS SANS SURVEILLANCE ET INCAPABLES DE RÉAGIR À UN DYSFONCTIONNEMENT ÉVENTUEL DU PRODUIT. LE DYSFONCTIONNEMENT OU LE MANQUE DE SURVEILLANCE D'UN CLIMATISEUR PEUT ENTRAÎNER UN EXCÈS DE CHALEUR DANS UN ENDROIT DEVANT RESTER AU FRAIS, CAUSANT PAR CONSÉQUENT DES MALADIES RELATIVES À LA CHALEUR OU LE DÉCÈS DE PERSONNES OU D'ANIMAUX.



### AVERTISSEMENT

POUR PRÉVENIR LE RISQUE DE DOMMAGES MATÉRIELS OU DE BLESSURE, MAINTENEZ VOS MAINS ET TOUT CORPS ÉTRANGER ÉLOIGNÉS DE L'ORIFICE DE SORTIE ET DE LA GRILLE D'ENTRÉE D'AIR LORSQUE L'UNITÉ EST EN FONCTIONNEMENT.

## INSPECTION DE LIVRAISON

Maintenez toujours l'unité droite : poser l'unité sur son flanc ou sur sa partie supérieure peut endommager l'équipement. Les dégâts éventuels lors de la livraison et les investigations ultérieures relèvent de la responsabilité du transporteur. Vérifiez que le numéro de modèle, les spécifications, les caractéristiques électriques et les accessoires soient corrects avant l'installation. Ni le distributeur, ni le fabricant n'accepteront de réclamation de la part des revendeurs pour des dommages dus au transport ou des installations d'unités expédiées incorrectement.

## CODES ET RÈGLEMENTATIONS

Ce produit est conçu et fabriqué pour répondre aux codes nationaux. L'installation conformément à ces codes et/ou aux codes/règlementations locaux en vigueur relève de la responsabilité de l'installateur. Le fabricant n'assume aucune responsabilité vis-à-vis des équipements installés en violation des codes ou réglementations.

**L'agence de protection de l'environnement des É.-U. (EPA en anglais) a publié de nombreuses réglementations concernant le rejet et l'élimination des réfrigérants. Le non-respect de ces réglementations peut nuire à l'environnement et entraîner des amendes importantes.** Si vous avez des questions, veuillez contacter le bureau local de l'EPA.

## CONSIDÉRATIONS LIÉES À L'INSTALLATION

Pour s'assurer que l'unité fonctionne de manière sûre et efficace, elle doit être installée, mise en marche et entretenue selon ces instructions d'installation et de fonctionnement et tous les codes et ordonnances locaux, ou, en leur absence, selon la version la plus récente du Code électrique national. L'installation correcte de cette unité est décrite dans les sections suivantes. Si vous suivez les étapes dans l'ordre présenté, vous serez assuré d'une installation correcte.



### ATTENTION

MONTER AVEC LES PIÈCES MOBILES INFÉRIEURES À AU MOINS 2,4M (8 PI.) AU-DESSUS DU SOL OU AU NIVEAU DU SOL.

## UNITÉ INTÉRIEURE



### ATTENTION

POUR ÉVITER DES DOMMAGES MATÉRIELS, DES DOMMAGES CORPORELS OU LA MORT SUITE À UN CHOC ÉLECTRIQUE, N'UTILISEZ PAS DE RALLONGÉ ÉLECTRIQUE AVEC CETTE UNITÉ.

### REMARQUES

LES ILLUSTRATIONS SONT DES REPRÉSENTATIONS DE L'UNITÉ. ELLES PEUVENT LÉGÈREMENT DIFFÉRER DE L'UNITÉ DONT VOUS DISPOSEZ EN RÉALITÉ.

- N'exposez pas l'unité à une chaleur excessive.
- Choisissez un endroit où il n'y a pas d'obstructions en face ou sur les côtés de l'unité.
- Veillez à ce que le placement de l'unité permette un drainage adéquat des condensats.
- Ne pas installer près d'une porte.
- Veillez à ce que les espaces représentés par des flèches soient calculés depuis la paroi, le plafond ou tout autre obstacle (Voir dégagements minimum requis à la Figure 1.)
- La prévention du bruit devrait être prise en considération lors de l'installation de l'unité.
- Ne pas placer l'unité à moins de 3 pi. (1m) d'une TV ou d'une radio.
- Prenez en compte la distance par rapport aux meubles, rideaux ou autres obstructions qui interfèrent avec le débit d'air de l'unité.
- Ne pas exposer l'unité à la lumière directe du soleil. L'exposition décolorerait le boîtier et affecterait son apparence. La prévention de la lumière devrait être prise en considération lors de l'installation de l'unité.

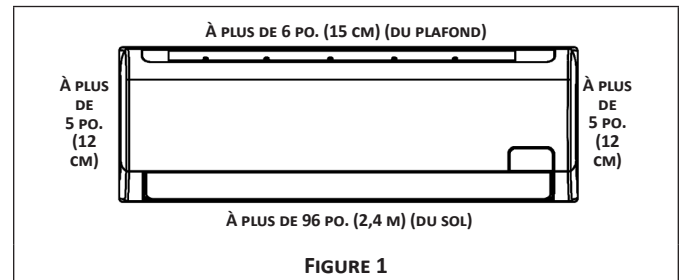


FIGURE 1

## UNITÉ EXTÉRIEURE

Lors de l'installation de l'unité extérieure, prenez en compte toutes les obstructions pouvant gêner l'entrée ou la sortie d'air. (Voir Figure 2).

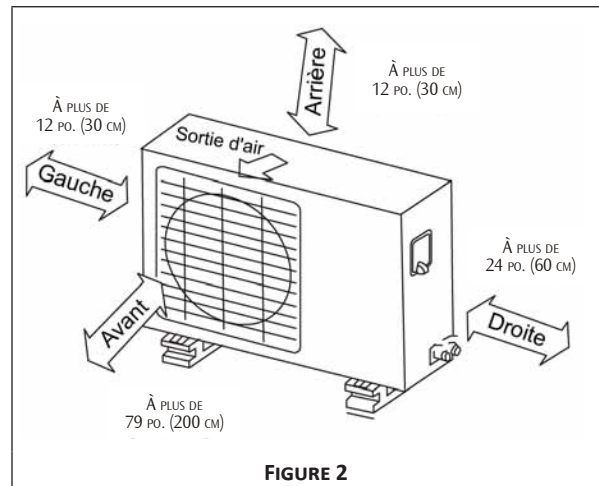


FIGURE 2

- Placez l'unité extérieure dans un endroit qui n'obstruera pas l'air d'évacuation du condensateur.
- N'installez pas l'unité extérieure dans un environnement corrosif.
- Maintenez les dégagements par rapport aux parois ou à d'autres obstacles selon le marquage des flèches de la figure 2.
- Ne placez pas d'animaux ou de plantes dans la voie de l'admission ou de l'évacuation de l'air.
- Sélectionnez un endroit où le bruit, la vibration et l'air chaud d'évacuation ne poseront pas de problème.
- N'installez pas le produit là où un équipement haute fréquence est utilisé (équipement sans fil, machine à souder, équipement médical) car il risque d'interférer avec le fonctionnement de l'unité.

## INSTALLATIONS SUR TOITURE

S'il s'avère nécessaire d'installer l'unité extérieure sur une toiture, assurez-vous que la structure de cette dernière puisse en supporter le poids et qu'une attention particulière soit prêtée à l'intégrité de l'étanchéité du toit. Étant donné que l'unité peut vibrer pendant son fonctionnement, les transmissions de vibrations sonores doivent être prises en compte lors de l'installation de l'unité. Des tampons ou des ressorts d'absorption des vibrations peuvent être installés entre les pieds ou le socle du groupe compresseur-condenseur et la structure de montage du toit afin de réduire les vibrations sonores.

## OUTILS

Indicateur de niveau	Détecteur de fuite de gaz	Tournevis
Pompe à vide	Perceuse électrique, foret-aléreur 2,5 po. ( $\frac{1}{4}$ " 65 mm)	Manuel de l'utilisateur
Manomètre de pression	Appareil à collets	Thermomètre
Clés dynamométriques		Multimètre
1,8 kgf.m 13 pi-lb		Coupe-tuyau
4,2 kgf.m 30 pi-lb		Ruban mesureur
5,5 kgf.m 40 pi-lb		Clé (demi-union)
6,6 kgf.m 48 pi-lb		Clé hexagonale (4 mm)

## PIÈCES/ACCESSOIRES

RÉF.	DESCRIPTION	QUANTITÉ	
1	Plaque d'installation	1	
2	Ancrage d'étrier	5-8 (selon le modèle)	
3	Vis à tôle A ST3.9 x 25	5-8 (selon le modèle)	
4	Joint (sur les modèles de refroidissement/chauffage uniq.)	1	
5	Raccordement de purge	1	
6	* Ensemble de tuyau de connexion	* Voir remarque	
	Côté liquide :		$\frac{1}{4}$ po. (Ø 6,35)
			$\frac{3}{8}$ po. (Ø 9,52)
	Côté gaz :		$\frac{1}{2}$ po. (Ø 12,7)
		$\frac{3}{8}$ po. (Ø 16,0)	
7	Télécommande	1	
8	Vis à tôle B ST2.9 x 10	2	
9	Porte-télécommande	1	

\* Les pièces doivent être achetées séparément. Consultez le fournisseur pour connaître les tailles de tuyaux. (Une épaisseur de paroi du tuyau minimum de 1/32 po. (0,7 mm) est recommandée).

Remarque : Les pièces listées sont fournies avec l'unité sauf indication contraire. Toute pièce supplémentaire requise doit être achetée séparément.

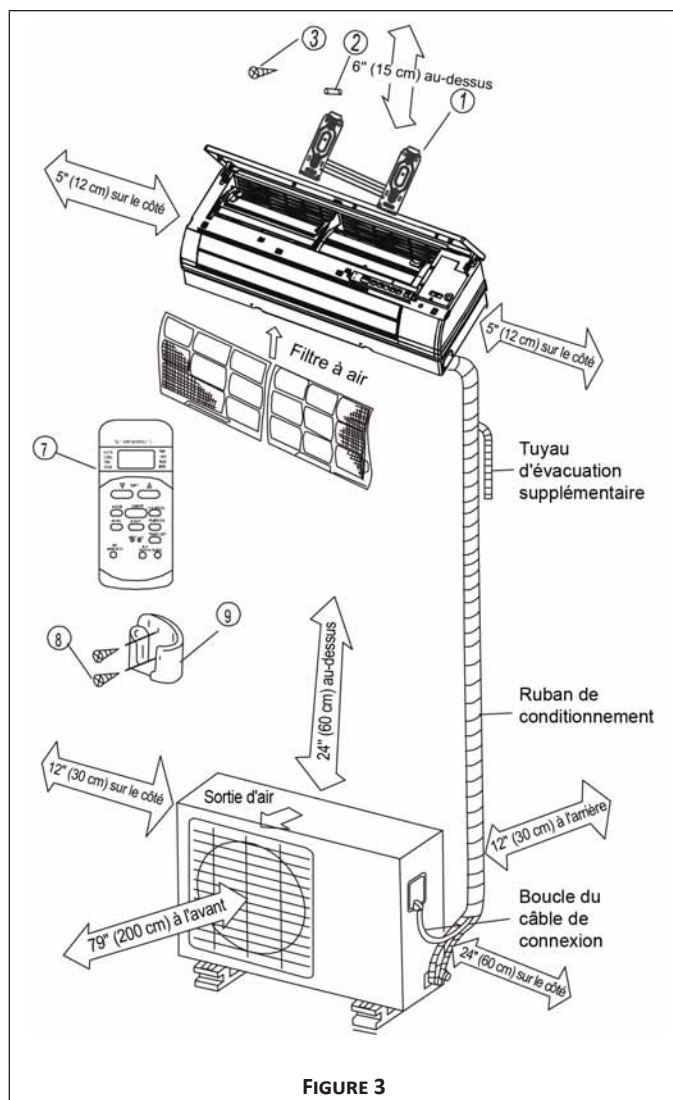


FIGURE 3

### REMARQUES IMPORTANTES

- ◇ VEILLER À CE QUE L'UNITÉ INTÉRIEURE SOIT MONTÉE SUFFISAMMENT EN HAUTEUR SUR LE MUR AFIN QU'ELLE SOIT HORS DE PORTÉE DES ENFANTS.
- ◇ LES CONDUITES EN CUIVRE DOIVENT ÊTRE ISOLÉES INDÉPENDAMMENT.
- ◇ IL FAUT UTILISER UN LOCALISATEUR DE MONTANTS POUR REPERER LES MONTANTS ET ÉVITER D'ENDOMMAGER LA PAROI.
- ◇ UNE CONDUITE D'AU MOINS 3 MÈTRES (10 PI.) EST NÉCESSAIRE POUR RÉDUIRE LES VIBRATIONS ET L'EXCÈS DE BRUIT.
- ◇ POUR PRÉVENIR LE RISQUE DE DOMMAGES MATÉRIELS OU DE BLESSURE, MAINTENEZ VOS MAINS ET TOUT CORPS ÉTRANGER ÉLOIGNÉS DE L'ORIFICE DE SORTIE ET DE LA GRILLE D'ENTRÉE D'AIR LORSQUE L'UNITÉ EST EN FONCTIONNEMENT.

## INSTALLATION DE L'UNITÉ INTÉRIEURE

### INSTALLATION DU SUPPORT DE MONTAGE

1. Installez le support de montage horizontalement et de manière fixe à la paroi, en prévoyant un espace pour l'accès latéral à l'unité.
2. Si la paroi est en brique, ciment ou en matériau similaire, percez (8) huit orifices de 5 mm (3/16 po.) de diamètre dans la paroi. Insérez l'ancrage d'étrier correspondant aux vis de montage.
3. Installez le support de montage sur la paroi avec huit (8) vis de type "A".

**Remarque :** Installez le support de montage et percez les trous dans la paroi en fonction de la structure de la paroi et des points de montage correspondants du support de montage. (Les supports de montage varient en fonction du modèle.)

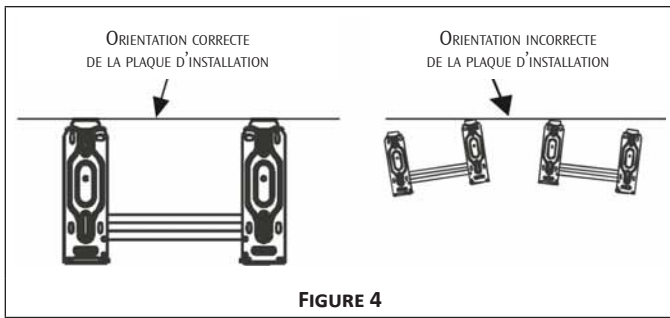


FIGURE 4

4. Déterminez les positions des orifices en fonction du diagramme des Figures 5A et 5B (15 SEER) et 5C (19 SEER). Percez un (1) orifice de 2,5 po. (φ 65 mm), incliné légèrement vers l'extérieur.

**Remarque :** Utilisez toujours un conduit d'orifice de paroi lorsque vous percez une grille métallique, une plaque métallique, etc.

**MODÈLES 15 SEER**

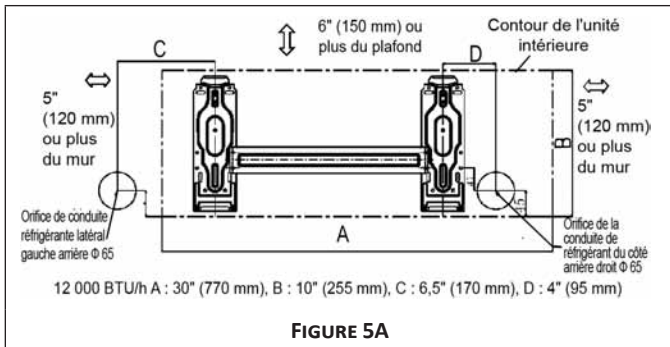


FIGURE 5A

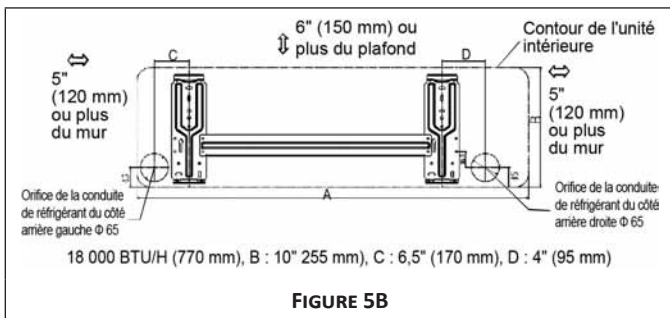


FIGURE 5B

**MODÈLES 19 SEER**

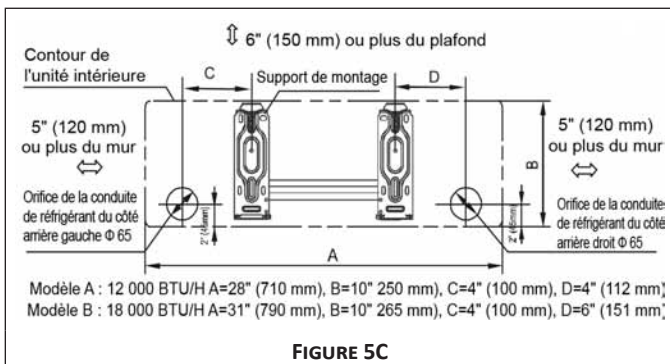


FIGURE 5C

**INSTALLATION DES TUYAUTERIES DU RÉFRIGÉRANT ET DU CONDENSAT**

**INSTALLATION**

5. Le tuyau d'évacuation doit être installé avec une légère inclinaison vers le bas. (Voir Figure 6).

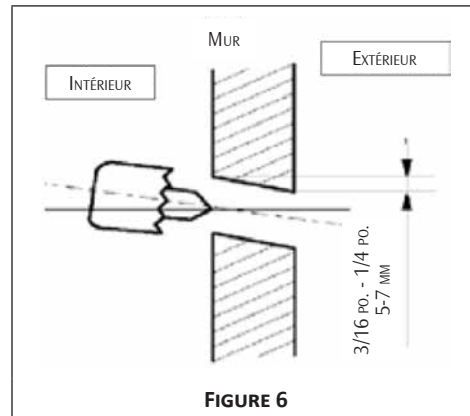


FIGURE 6

Le tuyau d'évacuation NE doit PAS être installé comme illustré sur la Figure 7.

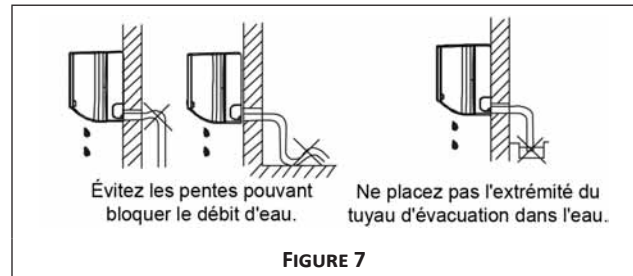


FIGURE 7

6. Lorsque vous branchez la rallonge du tuyau d'évacuation, isolez son connecteur grâce à un protecteur de tuyaux. Ne permettez pas au tuyau d'évacuation de se relâcher.

7. INSTALLATION DE LA CONDUITE DE RÉFRIGÉRANT : Pour le raccordement de gauche et de droite, retirez la protection du tuyau du panneau latéral. (Figure 8).

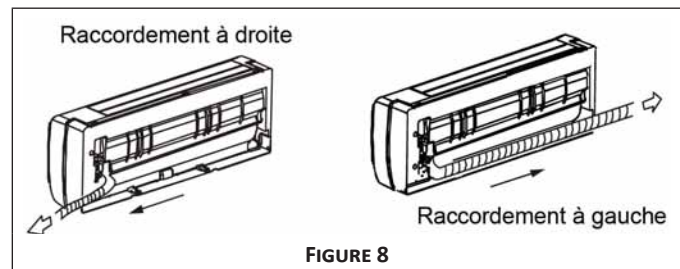


FIGURE 8

8. Pour le raccordement arrière droit et le raccordement arrière gauche, procédez à l'installation tel qu'illustré sur la Figure 9.

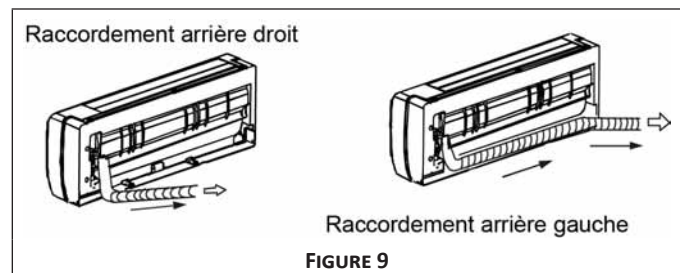


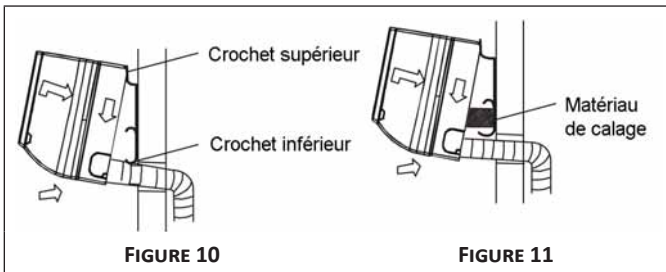
FIGURE 9

Pour effectuer des connexions de tube de réfrigérant, reportez-vous à Serrer les connexions de de la section de connexion de raccordement du réfrigérant.

#### INSTALLATION DE L'UNITÉ INTÉRIEURE

9. Faites passer la tuyauterie à travers le trou de la paroi.
10. Placez la griffe supérieure située à l'arrière de l'unité intérieure sur le crochet supérieur de la plaque d'installation. Déplacez l'unité intérieure d'un côté à l'autre afin de vous assurer qu'elle soit montée de manière sûre. (Voir Figure 10).

**Remarque :** En plaçant un matériau de calage entre l'unité intérieure et la paroi, le placement du raccordement est plus facile (voir Figure 11). Retirez le MATÉRIAU de calage lorsque le raccordement est terminé.

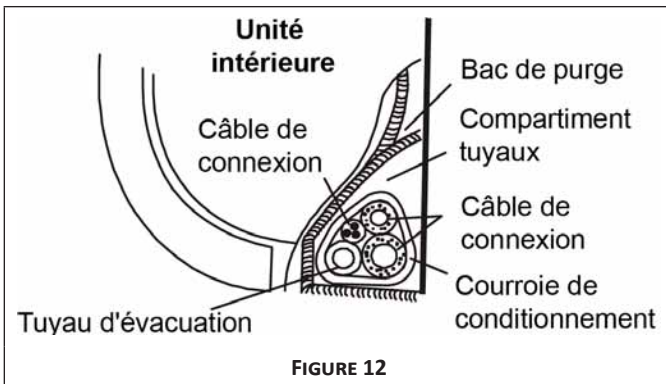


11. Poussez la partie inférieure de l'unité intérieure contre la paroi. Déplacez l'unité intérieure d'un côté à l'autre, et de haut en bas, afin de vous assurer qu'elle soit accrochée de manière sûre.

#### RACCORDEMENT ET CONDITIONNEMENT

Empaquetez les tubes, le câble de connexion et le tuyau d'évacuation de manière sûre avec du ruban tel qu'illustré sur la Figure 12.

Étant donné que l'eau condensée de l'arrière de l'unité intérieure est collectée dans le bac de purge et évacuée hors de la pièce via un tuyau, ne mettez rien d'autre dans le bac de purge.



#### REMARQUES IMPORTANTES

- ◇ L'UNITÉ INTÉRIEURE DOIT ÊTRE CONNECTÉE AVANT L'UNITÉ EXTÉRIEURE.
- ◇ LE TUYAU D'ÉVACUATION NE DOIT PAS SE RELÂCHER.
- ◇ ISOLEZ LES DEUX RACCORDEMENTS AUXILIAIRES.
- ◇ VEILLEZ À CE QUE LE TUYAU D'ÉVACUATION SOIT POSITIONNÉ SUR LE CÔTÉ INFÉRIEUR DU TUBAGE EMPAQUÉTÉ. LE POSITIONNER SUR LE CÔTÉ SUPÉRIEUR PEUT ENTRAÎNER LE DÉBOURDEMENT DU BAC DE PURGE À L'INTÉRIEUR DE L'UNITÉ.
- ◇ LE TUYAU D'ÉVACUATION DOIT ÊTRE INCLINÉ VERS LE BAS POUR PERMETTRE UNE CONDENSATION CORRECTE.



#### ATTENTION

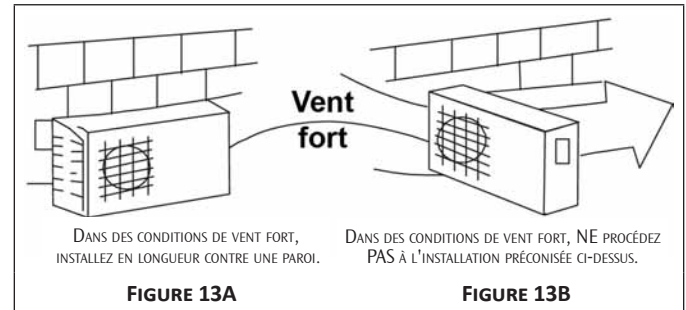
VEILLEZ À CE QUE LE RACCORDEMENT NE SÉPARE PAS L'UNITÉ INTÉRIEURE DE LA PAROI. N'ENCHEVÊTREZ JAMAIS LE CÂBLAGE D'ALIMENTATION AVEC D'AUTRES CÂBLAGES.

#### INSTALLATION DE L'UNITÉ EXTÉRIEURE

##### PRÉCAUTIONS D'INSTALLATION EXTÉRIEURE

- Installez l'unité extérieure sur une base rigide pour réduire le niveau sonore et les vibrations.
- Placez l'unité extérieure de façon à minimiser la restriction de l'air d'évacuation.

Protégez l'unité des vents dominants. Pour un fonctionnement correct de l'unité, placez l'unité le long d'une paroi ou utilisez une plaque de protection contre la poussière ou une plaque de blindage.

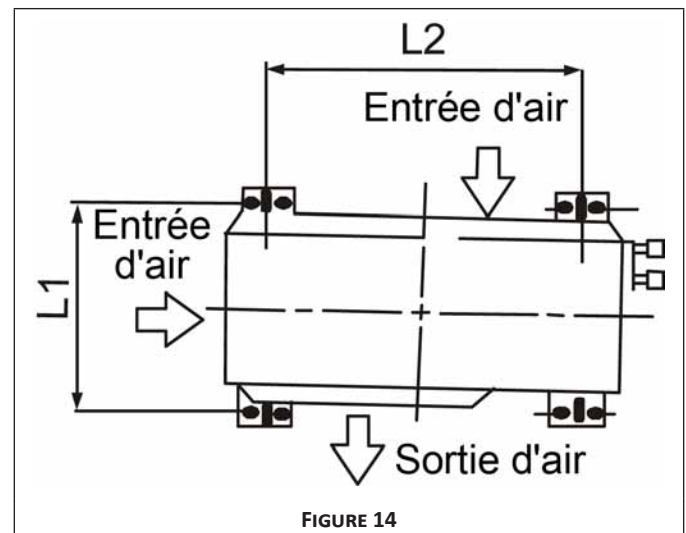


- Si une installation murale est requise, la fixation doit satisfaire les exigences du diagramme et le mur doit être capable de supporter le poids de l'installation.
- Veillez à ce que rien n'obstrue l'évacuation de l'air.

Le mur d'installation doit être construit en brique, ciment ou autre surface de force équivalente afin de maintenir l'unité en toute sécurité. Veillez à ce que les connexions au mur, la fixation et l'unité soient fermement logées et que rien n'obstrue le passage de l'air.

##### ANCRAGE DE L'UNITÉ EXTÉRIEURE

L'unité doit être ancrée de manière sûre, horizontalement, à l'aide d'un écrou et d'un boulon ( $\Phi 10$  ou  $\Phi 8$ ) sur une surface en béton ou similairement rigide et stable.





MODÈLE	DIMENSIONS DE L'UNITÉ EXTÉRIEURE	DIMENSIONS DE MONTAGE	
	POUCES/MM (L1xHxLA1)	L2 (MM)	L1 (MM)
MS*12*E15	31 po. x 21 po. x 10 po. 780 x 540 x 250	21,5 po. 549	11 po. 276
MS*18*E15	30 po. x 23 po. x 11 po. 760 x 590 x 285	21 po. 530	11,5 po. 290
MS*12*E19	30 po. x 23 po. x 11 po. 760 x 590 x 285	21 po. 530	11,5 po. 290
MS*18*E19	33 po. x 27,5 po. x 12,5 po. 840 x 700 x 320	22 po. 560	13 po. 335

#### INSTALLATION DU RACCORDEMENT DE PURGE

**Remarque :** Les raccords de purge diffèrent légèrement en fonction des différentes unités extérieures. Inspectez votre unité et utilisez les instructions d'installation de votre unité spécifique.

#### POUR LES RACCORDEMENTS DE PURGE AVEC JOINTS (FIGURE 15A) :

Faites glisser le joint sur le raccordement de purge et insérez-le dans l'orifice du bac de base de l'unité extérieure. Effectuez une rotation de 90° pour fixer (voir Figure 16).

#### POUR LES RACCORDEMENTS DE PURGE SANS JOINT (FIGURE 15B) :

Insérez le raccordement de purge dans l'orifice du bac de base de l'unité extérieure jusqu'à ce qu'il demeure fixe et émette un cliquetis.

**Remarque :** Pour une protection contre la condensation de l'eau hors de l'unité extérieure au cours du mode de chauffage, connectez le raccordement de purge à une rallonge de tuyau d'évacuation (fournie par l'installateur).

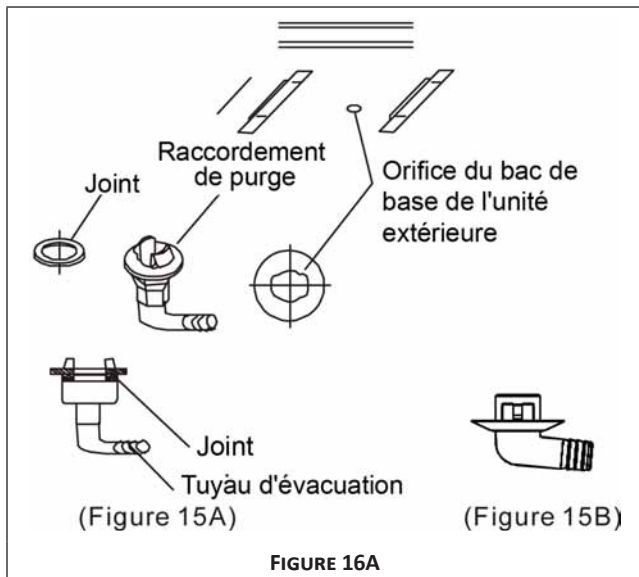


FIGURE 16A

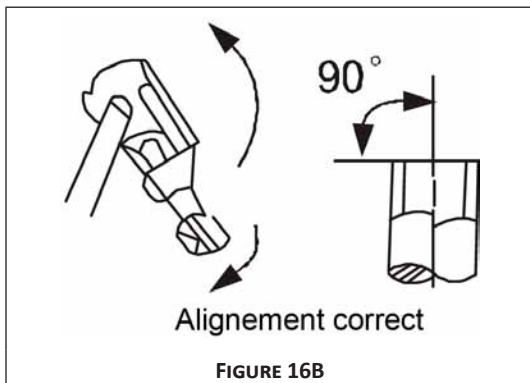


FIGURE 16B

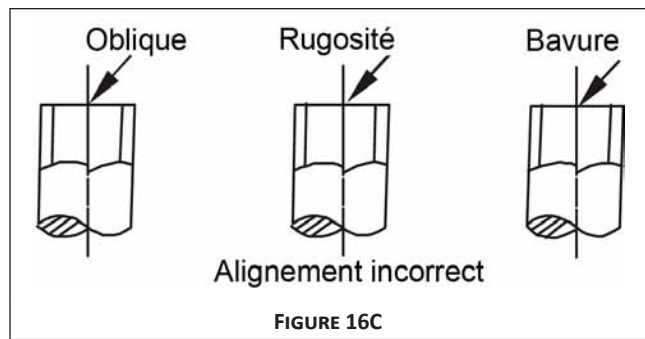


FIGURE 16C

#### CONNEXION DES CONDUITES DE RÉFRIGÉRANT

**Remarque :** La cause principale des fuites de réfrigérant se situe au niveau des raccords à collet repoussé défectueux.

Effectuez des raccords à collet repoussé selon la procédure suivante :

1. Retirez les écrous à collet repoussé fixés aux unités intérieures et extérieures. Avant l'évasement, faites-les glisser sur le tube. Il est impossible de les placer après les tubes à évasement.
2. Insérez un tube dans l'outil à évaser sur la mesure "A" du schéma. Procédez à l'évasement du tube tel qu'illustré sur la Figure 19. Veillez à ce que l'évasement ne comporte pas de bavures et soit entièrement formé de manière à effectuer un joint bien étanche.

**Remarque :** Afin d'éviter de laisser tomber des bavures dans le tube, pratiquez un angle à l'extrémité du tube ou tuyau de cuivre vers le bas tandis que vous enlevez les bavures.

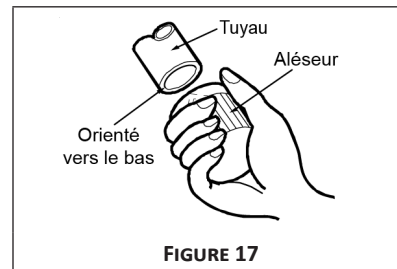


FIGURE 17

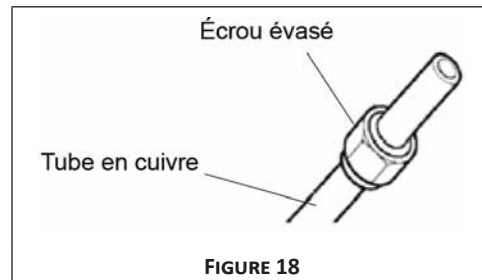


FIGURE 18

4. Raccords à collet repoussé : Tenez fermement le tuyau en cuivre dans une matrice selon les dimensions des tableaux suivants.

MODÈLE	TAILLE DU TUYAU		LONGUEUR STANDARD PL. (M)	MAX. SURÉLEVATION B PL. (M)	MAX. LONGUEUR A PL. (M)	RÉFRIG. SUPPLÉMENTAIRE OZ./PL. (G/M)
	GAZ	LIQUIDE				
MSC12*	1/2 po. (Φ12,7)	1/4 po. (Φ6,35)	16,5 (5)	26,25 (8)	66 (20)	0,3 (20)
MSH12*	3/8 po. (Φ9,52)	1/4 po. (Φ6,35)	16,5 (5)	26,25 (8)	66 (20)	0,3 (20)
MSC18*	3/8 po. (Φ9,52)	1/4 po. (Φ6,35)	16,5 (5)	33 (10)	82 (25)	0,3 (20)
MSH18*	1/2 po. (Φ12,7)	1/4 po. (Φ6,35)	16,5 (5)	33 (10)	82 (25)	0,3 (20)



DIAMÈTRE EXTÉRIEUR (POUCES ET MM)	A (POUCES ET MM)	
	Max	Min.
1/4 po. (6,35)	3/64 po. (1,3)	1/32 po. (0,7)
3/8 po. (9,52)	1/16 po. (1,6)	3/64 po. (1,0)
1/2 po. (12,7)	1/16 po. (1,8)	3/64 po. (1,0)
5/8 po. (16,0)	3/32 po. (2,2)	3/32 po. (2,2)

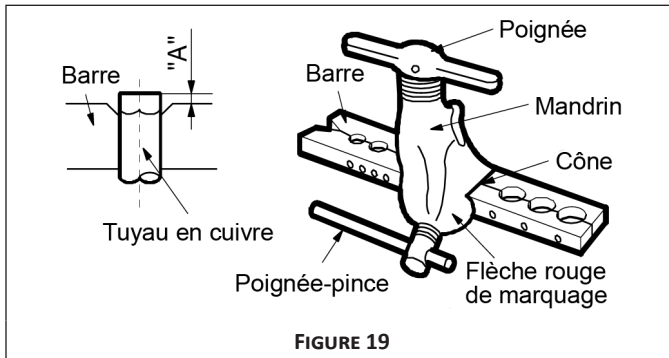


FIGURE 19

### 5. Serrer les connexions :

Alignez le centre des tuyaux et serrez manuellement l'écrou d'évasement. À l'aide d'une clé et d'une clé dynamométrique (Figures 20 et 21) continuez à serrer l'écrou d'évasement jusqu'à ce que l'écrou soit bien serré sur le tuyau.

DIAMÈTRE EXTÉRIEUR (MM)	COUPLE DE SERRAGE	COUPLE DE SERRAGE SUPPLÉMENTAIRE
1/4 po. (Φ6,35)	11 lb.-pi. 1 500 (N-cm)	11,8 lb.-pi. 1 600 (N-cm)
3/8 po. (Φ9,52)	18,5 lb.-pi. 2 500 (N-cm)	19,2 lb.-pi. 2 600 (N-cm)
1/2 po. (Φ12,7)	26 lb.-pi. 3 500 (N-cm)	26,5 lb.-pi. 3 600 (N-cm)
5/8 po. (Φ16,0)	33 lb.-pi. 4 500 (N-cm)	34,5 lb.-pi. 4 700 (N-cm)

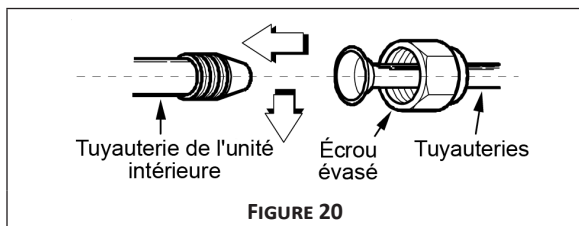


FIGURE 20

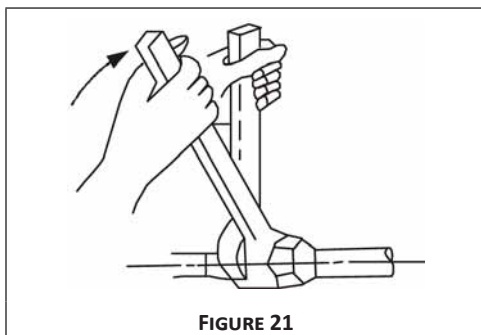


FIGURE 21



### ATTENTION

NE SERREZ PAS TROP FORT. UN COUPLE EXCESSIF PEUT CASSER L'ÉCROU ET/OU GAUFRE LE TUYAU.

### BRANCHEMENTS ÉLECTRIQUES



### AVERTISSEMENT

SEULES LES PERSONNES SATISFAISANT LES EXIGENCES D'UN « TECHNICIEN » TELLES QUE SPÉCIFIÉES PAR L'INSTITUT SUR LE CONDITIONNEMENT DE L'AIR, LE CHAUFFAGE, ET LA RÉFRIGÉRATION (AHRI EN ANGLAIS) PEUVENT UTILISER CES INFORMATIONS. TENTER D'INSTALLER OU DE RÉPARER CET ÉQUIPEMENT SANS UNE TELLE QUALIFICATION PEUT ENTRAÎNER DES DOMMAGES DU PRODUIT, DES DOMMAGES CORPORELS, OU LA MORT.



### AVERTISSEMENT

#### HAUTE TENSION !

DÉCONNECTEZ TOUTES LES ALIMENTATIONS ÉLECTRIQUES AVANT D'EFFECTUER UN ENTRETIEN. IL PEUT Y AVOIR DE MULTIPLES SOURCES D'ALIMENTATION. NE PAS LE FAIRE PEUT ENTRAÎNER DES DOMMAGES MATÉRIELS, DES DOMMAGES CORPORELS OU LA MORT DUS À UN CHOC ÉLECTRIQUE. LE CÂBLAGE DOIT ÊTRE CONFORME AU NEC OU CEC ET À TOUTS LES CODES LOCAUX. LES CÂBLES SOUS-DIMENSIONNÉS POURRAIENT ENTRAÎNER DES PERFORMANCES FAIBLES DE L'ÉQUIPEMENT, DES DOMMAGES DE L'ÉQUIPEMENT OU UN INCENDIE.



### REMARQUES IMPORTANTES

- ◇ SI DES PROBLÈMES DE SÉCURITÉ LIÉS À L'ALIMENTATION SE PRODUISENT, L'UNITÉ NE DOIT PAS ÊTRE CONNECTÉE AVANT LA RÉOLUTION DE CES PROBLÈMES.
- ◇ VEILLEZ À CE QUE L'ALIMENTATION ÉLECTRIQUE SUFFISE À ALIMENTER L'UNITÉ EN TOUTE SÉCURITÉ.
- ◇ LA TENSION DEVRAIT ÊTRE COMPRISE ENTRE 90% ET 110% DE LA TENSION NOMINALE.
- ◇ L'INTERRUPTEUR PRINCIPAL ET LE PARASURTENSEUR DEVIENNAIENT REPRÉSENTER 1,5 FOIS LA CAPACITÉ DU COURANT MAXIMAL DE L'UNITÉ ET DEVIENNAIENT ÊTRE INSTALLÉS SUR LE CIRCUIT D'ALIMENTATION.
- ◇ L'UNITÉ DOIT ÊTRE CORRECTEMENT RELIÉE À LA TERRE.
- ◇ CONNECTEZ TOUT LE CÂBLAGE COMME ILLUSTRÉ SUR LE SCHÉMA DE CÂBLAGE ÉLECTRIQUE SITUÉ SUR LE PANNEAU DE L'UNITÉ EXTÉRIEURE.
- ◇ TOUT LE CÂBLAGE DOIT RESPECTER LES CODES ÉLECTRIQUES LOCAUX ET NATIONAUX. L'INSTALLATION DOIT ÊTRE EFFECTUÉE PAR DES ÉLECTRICIENS QUALIFIÉS.

- L'unité doit comporter un circuit de dérivation individuel.

**Remarque :** L'épaisseur des fils et le courant nominal du fusible ou du disjoncteur sont déterminés par le courant admissible minimum du circuit et le dispositif de protection contre les surtensions indiqués sur la plaque signalétique, située sur le panneau latéral de l'unité. Reportez-vous à la plaque signalétique avant de sélectionner le fil, le fusible et/ou le disjoncteur.

### CONNEXION DU CÂBLE À L'UNITÉ INTÉRIEURE

**Remarque :** Avant de réaliser tout travail électrique, coupez l'alimentation principale du circuit.



### AVERTISSEMENT

#### HAUTE TENSION !

DÉCONNECTEZ TOUTES LES ALIMENTATIONS ÉLECTRIQUES AVANT D'EFFECTUER UN ENTRETIEN. IL PEUT Y AVOIR DE MULTIPLES SOURCES D'ALIMENTATION. NE PAS LE FAIRE PEUT ENTRAÎNER DES DOMMAGES MATÉRIELS, DES DOMMAGES CORPORELS OU LA MORT.



1. Le fil de connexion interne et externe peut être branché sans avoir à retirer la grille.
2. Le fil de connexion entre l'unité intérieure et l'unité extérieure doit être un câble flexible approuvé, gainé en néoprène, avec une désignation de type H07RN-F ou plus robuste.
3. Soulevez le panneau de l'unité intérieure, retirez le couvercle du boîtier électrique en dévissant la vis comme indiqué sur la Figure 22.

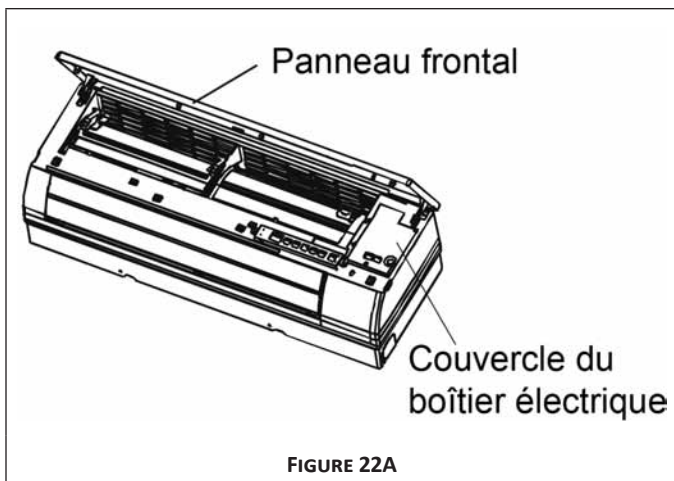


FIGURE 22A

4. Veillez à ce que la couleur des fils de l'unité extérieure et les numéros de borne soient les mêmes que ceux de l'unité intérieure. Figure 22B.

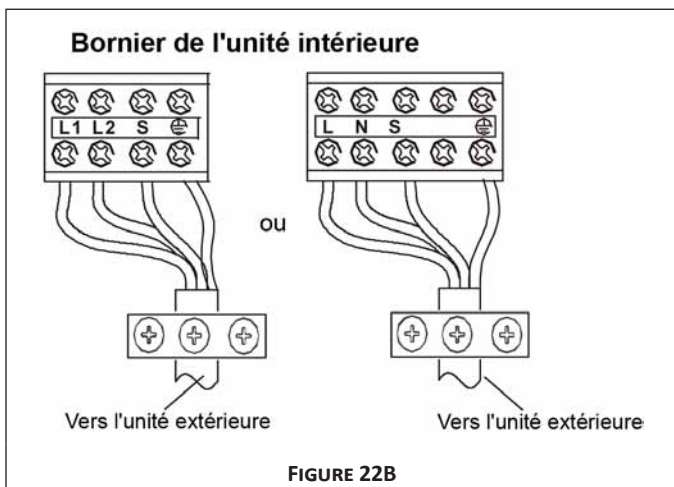


FIGURE 22B

5. Enrobez les fils non connectés aux bornes avec du ruban isolant pour qu'ils n'entrent pas en contact avec les composants électriques. Fixez les fils sur le panneau de commande à l'aide d'une serre-câble.

#### CONNEXION DU CÂBLE À L'UNITÉ EXTÉRIÈURE

1. Retirez le couvercle du panneau de commande électrique de l'unité extérieure en dévissant la vis comme illustré sur la Figure 23A.

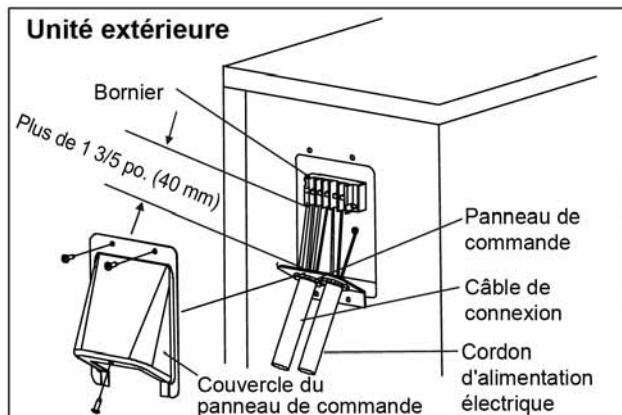


FIGURE 23A

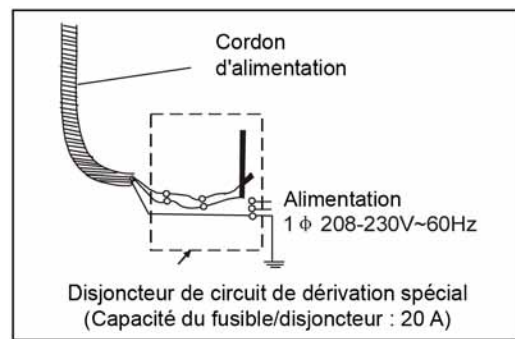
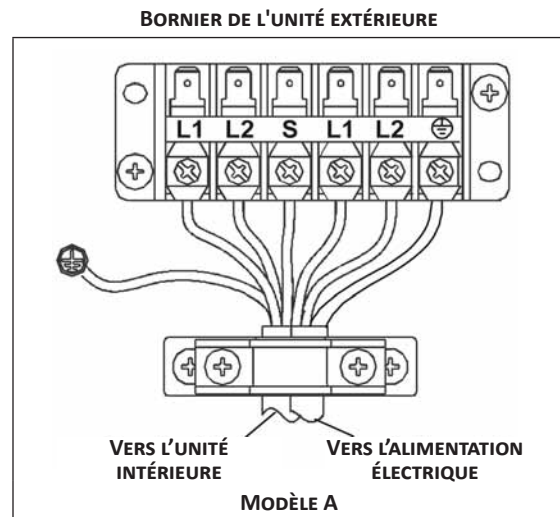


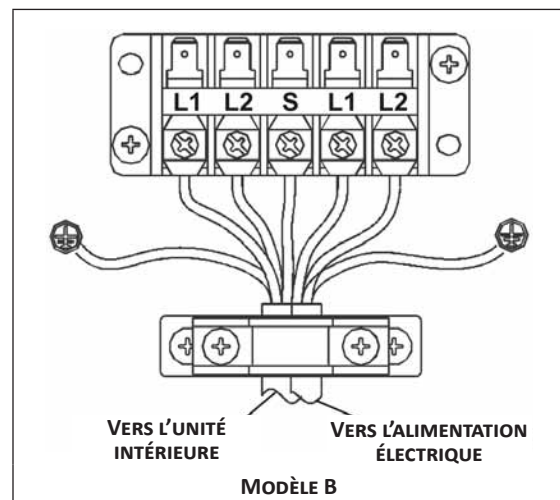
FIGURE 23B

**Remarque :** Le serre-câble doit être d'une taille adéquate pour prévenir le relâchement ou le glissement des câbles du serre-câble. Sélectionnez le diamètre de câble adéquat pour remplir les orifices du serre-câble.

2. Retirez les capuchons du panneau de conduits.
3. Montez temporairement les tubes de conduit (non compris) sur le panneau de conduits.
4. Connectez l'alimentation et les lignes basse tension aux bornes correspondantes du bornier. (Voir Modèles A et B).



MODÈLE A



MODÈLE B

- Reliez l'unité au sol conformément aux codes locaux.
- Veillez à avoir une taille de câble adéquate et à prévoir quelques centimètres supplémentaires à la longueur requise pour le câblage de l'unité.
- Avec le contre-écrou, fixez les tubes de conduit.



### AVERTISSEMENT

RESPECTEZ TOUS LES CODES LOCAUX LORSQUE VOUS FAITES PASSER DES CÂBLES ÉLECTRIQUES DE L'UNITÉ INTÉRIEURE VERS L'UNITÉ EXTÉRIEURE. TOUS LES CÂBLES DOIVENT ÊTRE FERMEMENT CONNECTÉS ET AUCUN CÂBLE NE DOIT TOUCHER LES TUBES DU RÉFRIGÉRANT, DU COMPRESSEUR OU DE TOUTE PIÈCE MOBILE. UN CÂBLAGE LÂCHE RISQUE DE PROVOQUER LA SURCHAUFFE DU TERMINAL ET ENTRAÎNER UN DYSFONCTIONNEMENT DE L'UNITÉ OU CRÉER UN INCENDIE. UN MOYEN DE DÉCONNECTER L'UNITÉ DOIT ÊTRE FOURNI ET SITUÉ DANS UN ENDROIT FACILEMENT ACCESSIBLE.

### REMARQUES IMPORTANTES

LORSQUE LES CONDITIONS CI-DESSUS SONT RÉUNIES, VEILLEZ À SATISFAIRE LES CONDITIONS SUIVANTES :

- ◇ UN CIRCUIT D'ALIMENTATION DÉDIÉ DOIT ÊTRE EN PLACE POUR L'UNITÉ. CÂBLEZ L'UNITÉ COMME ILLUSTRÉ SUR LE SCHEMA DE CÂBLAGE DU CIRCUIT AFFICHÉ À L'INTÉRIEUR DU COUVERCLE DE CONTRÔLE.
- ◇ À LA RÉCEPTION DE L'UNITÉ, EXAMINEZ LES VIS QUI FIXENT LE CÂBLAGE DANS LE BÔTTIER DES RACCORDS ÉLECTRIQUES, CAR ELLES RISQUENT DE S'ÊTRE DÉSERRÉES AU COURS DU TRANSPORT. TOUT DOIT ÊTRE FIXÉ DE MANIÈRE SÛRE AFIN D'EMPÊCHER LA FORMATION D'UN ARC.
- ◇ CARACTÉRISTIQUE DE LA SOURCE D'ALIMENTATION.
- ◇ VÉRIFIEZ QUE LA CAPACITÉ ÉLECTRIQUE SOIT SUFFISANTE POUR LE FONCTIONNEMENT DE L'UNITÉ.
- ◇ MAINTENEZ LA TENSION DE DÉMARRAGE À PLUS DE 90% DE LA TENSION NOMINALE INDIQUÉE SUR LA PLAQUE SIGNALÉTIQUE.
- ◇ VÉRIFIEZ QUE L'ÉPAISSEUR DES FILS SOIT BIEN LA MÊME QUE CELLE SPÉCIFIÉE DANS LES CARACTÉRISTIQUES DE LA SOURCE D'ALIMENTATION.
- ◇ INSTALLEZ TOUJOURS UN DISJONCTEUR DE COURANT DE FUITE À LA TERRE EN ZONE HUMIDE OU MOUILLÉE.
- ◇ UNE CHUTE DE TENSION PEUT ÊTRE CAUSÉE PAR LA VIBRATION D'UN INTERRUPTEUR MAGNÉTIQUE, CE QUI PEUT ENDOMMAGER LE POINT DE CONTACT, ENTRAÎNER UNE RUPTURE DE FUSIBLE OU LA PERTURBATION DE LA FONCTION NORMALE DE LA SURCHARGE.
- ◇ LES MOYENS DE DÉBRANCHER UNE ALIMENTATION DEVRAIENT ÊTRE INTÉGRÉS DANS LE CÂBLAGE FIXE ET DISPOSER D'UNE SÉPARATION DE CONTACT AVEC ESPACE D'AIR D'AU MOINS 3 MM (1/8 PO.) DANS CHAQUE CONDUCTEUR DE PHASE ACTIVE.

### TEST DE FUITE (AZOTE OU TRACES D'AZOTE)

Testez en pression le circuit en utilisant de l'azote sec et de l'eau savonneuse pour localiser les fuites du système. Si vous désirez utiliser un détecteur de fuite, chargez le système à 10 psi en utilisant le réfrigérant approprié, puis utilisez de l'azote pour terminer de charger le système jusqu'à la pression de service. Appliquez ensuite le détecteur sur les zones suspectes. Si des fuites sont découvertes, réparez-les. Après réparation, répétez le test de pression. Si aucune fuite n'est découverte, procédez à l'évacuation du circuit.

### ÉVACUATION DU CIRCUIT

Les clapets d'aspiration et du liquide du groupe compresseur-condenseur sont fermés pour contenir la charge à l'intérieur de l'unité. L'unité est livrée avec les tiges de vannes fermées et les bouchons installés. **N'ouvrez pas les robinets avant que le circuit n'ait été évacué.**

- Connectez la pompe à vide avec une capacité de 250 microns aux robinets de service.
- Évacuez le système à 250 microns ou moins en utilisant les robinets de service du liquide et les clapets d'aspiration. L'utilisation des deux robinets est nécessaire étant donné que certains compresseurs créent une garniture mécanique d'étanchéité séparant les côtés du système.
- Fermez la valve de la pompe et maintenez le vide pendant 10 minutes. Normalement, la pression montera durant cette période.

### REMARQUES

- ◇ SI LA PRESSION AUGMENTE À 1 000 MICRONS OU MOINS ET RESTE STABLE, LE CIRCUIT EST CONSIDÉRÉ SANS FUITE ; VOUS POUVEZ PASSER À LA MISE EN ROUTE.
- ◇ SI LA PRESSION AUGMENTE AU-DESSUS DE 1 000 MICRONS MAIS RESTE STABLE EN-DESSOUS DE 2 000 MICRONS, DE L'HUMIDITÉ ET/OU DES MATIÈRES INCONDENSABLES PEUVENT ÊTRE PRÉSENTES OU LE CIRCUIT PEUT AVOIR UNE PETITE FUITE. REVENEZ À L'ÉTAPE 2. SI LE MÊME RÉSULTAT A DE NOLIVEAU LIEU, VÉRIFIEZ LES FUITES COMME INDIQUÉ PRÉCÉDEMMENT ET RÉPAREZ SI NÉCESSAIRE, PUIS RÉPÉTEZ L'ÉVACUATION.
- ◇ SI LA PRESSION AUGMENTE AU-DESSUS DE 2 000 MICRONS, IL Y A UNE FUITE. VÉRIFIEZ LA PRÉSENCE DE FUITES TEL QU'INDIQUÉ PRÉCÉDEMMENT, RÉPAREZ SI NÉCESSAIRE ET RÉPÉTEZ L'ÉVACUATION.

MODÈLE	LONGUEUR DE LA CONDUITE DE CONNEXION	MÉTHODE D'ÉVALUATION	QUANTITÉ SUPPLÉMENTAIRE DE RÉFRIG. À CHARGER
15 SEER	MOINS DE 7,5 m (24,5')	UTILISEZ UNE POMPE À VIDE	---
	PLUS DE 7,5 m (24,5')	UTILISEZ UNE POMPE À VIDE	R-410A (LONGUEUR DE CONDUITE-5) x 0,3 oz./pl. (20 g/m)
19 SEER	MOINS DE 5 m (16')	UTILISEZ UNE POMPE À VIDE	---
	PLUS DE 5 m (16')	UTILISEZ UNE POMPE À VIDE	R-410A (LONGUEUR DE CONDUITE-5) x 0,3 oz./pl. (20 g/m)

### LONGUEUR DE CONDUITE ET QUANTITÉ DE RÉFRIGÉRANT

- Lors du déplacement de l'unité dans un autre endroit, effectuez l'évacuation à l'aide d'une pompe à vide.
- Le réfrigérant ajouté à l'unité doit être sous forme liquide. (Ne s'applique pas aux unités utilisant le R-22.)

### MANIPULATION DU RÉFRIGÉRANT EN TOUTE SÉCURITÉ

Bien que ces articles ne couvriront pas toutes les situations concevables, ils devront servir de guide pratique.



### AVERTISSEMENT

LES RÉFRIGÉRANTS SONT PLUS LOURDS QUE L'AIR. ILS PEUVENT « EXPULSER » L'OXYGÈNE DE VOS POUMONS OU DE TOUT ENDROIT CONFINÉ. AFIN D'ÉVITER DE POSSIBLES DIFFICULTÉS POUR RESPIRER OU LA MORT :

- ◇ NE VIDANGEZ JAMAIS LE RÉFRIGÉRANT À L'INTÉRIEUR D'UNE PIÈCE OU D'UN ENDROIT CLOS. SELON LA LOI, TOUS LES RÉFRIGÉRANTS DOIVENT ÊTRE DÉCLARÉS.
- ◇ SI UNE FUITE À L'INTÉRIEUR EST SUSPECTÉE, VENTILEZ COMPLÈTEMENT LA ZONE AVANT DE COMMENCER LE TRAVAIL.
- ◇ LE RÉFRIGÉRANT LIQUIDE PEUT ÊTRE TRÈS FROID. AFIN D'ÉVITER TOUTE GELURE OU AVEUGLEMENT, ÉVITEZ LE CONTACT ET PORTEZ DES GANTS ET DES LUNETTES. SI LE LIQUIDE RÉFRIGÉRANT ENTRE EN CONTACT AVEC VOTRE PEAU OU VOS YEUX, DEMANDEZ IMMÉDIATEMENT UNE ASSISTANCE MÉDICALE.
- ◇ RESPECTEZ TOUJOURS LES RÉGLEMENTATIONS EPA. NE BRÛLEZ JAMAIS DE RÉFRIGÉRANT, CAR DES GAZ TOXIQUES SERONT GÉNÉRÉS



### AVERTISSEMENT

AFIN D'ÉVITER TOUTE EXPLOSION :

- ◇ N'APPLIQUEZ JAMAIS DE FLAMME OU DE VAPEUR SUR UNE BOUTEILLE DE RÉFRIGÉRANT. SI VOUS DEVEZ CHAUFFER UNE BOUTEILLE POUR UN CHARGEMENT PLUS RAPIDE, IMMERGEZ-LA PARTIELLEMENT DANS DE L'EAU CHAUDE.
- ◇ NE REMPLISSEZ JAMAIS UNE BOUTEILLE À PLUS DE 80% DE SA CONTENANCE EN LIQUIDE RÉFRIGÉRANT.
- ◇ N'AJOUTEZ JAMAIS RIEN D'AUTRE QUE DU R-22 DANS UNE BOUTEILLE R-22 OU DU R-410A DANS UNE BOUTEILLE R-410A. L'ÉQUIPEMENT D'ENTRETIEN UTILISÉ DOIT ÊTRE RÉFÉRENCÉ OU CERTIFIÉ POUR LE TYPE DE RÉFRIGÉRANT UTILISÉ.
- ◇ ENTREPOSEZ LES BOUTEILLES DANS UN ENDROIT FROID ET SEC. N'UTILISEZ JAMAIS UNE BOUTEILLE COMME PLATEFORME OU ROULEAU.



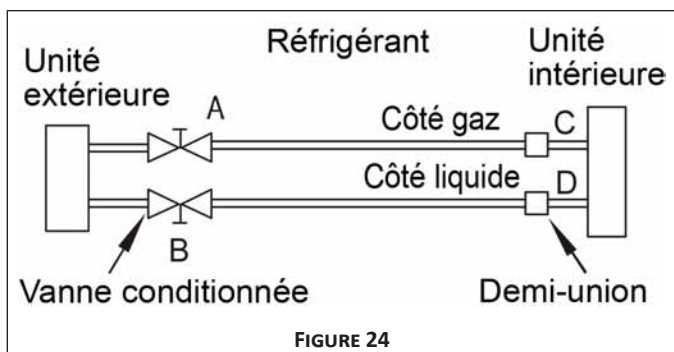
### AVERTISSEMENT

AFIN D'ÉVITER TOUT RISQUE D'EXPLOSION, N'UTILISEZ QUE LES BOUTEILLES CONSIGNÉES (NON JETABLES) LORS DE L'EXTRACTION DU RÉFRIGÉRANT D'UN SYSTÈME.

- ◇ ASSUREZ-VOUS QUE LA BOUTEILLE N'AIT SUBI AUCUN DÉGÂT QUI POURRAIT ENTRAÎNER UNE FUITE OU UNE EXPLOSION.
  - ◇ ASSUREZ-VOUS QUE LA DATE DU TEST HYDROSTATIQUE N'EXCÈDE PAS LES 5 ANS.
  - ◇ ASSUREZ-VOUS QUE LA PRESSION NOMINALE SOIT ÉGALE OU SUPÉRIEURE À 400 LBS.
- EN CAS DE DOUTE, N'UTILISEZ PAS LA BOUTEILLE.

### SOYEZ PRUDENT LORSQUE VOUS MANIPULEZ LA VANNE CONDITIONNÉE :

- Ouvrez l'unité de la tige de la vanne qui entre en contact contre la butée. N'essayez pas de l'ouvrir davantage.



- Serrez fermement le bouchon de la tige de vanne à l'aide d'une clé ou d'un outil similaire.
- Voir le tableau de couple de serrage dans la section Serrer les connexions.

#### CONTRÔLES DE SÉCURITÉ

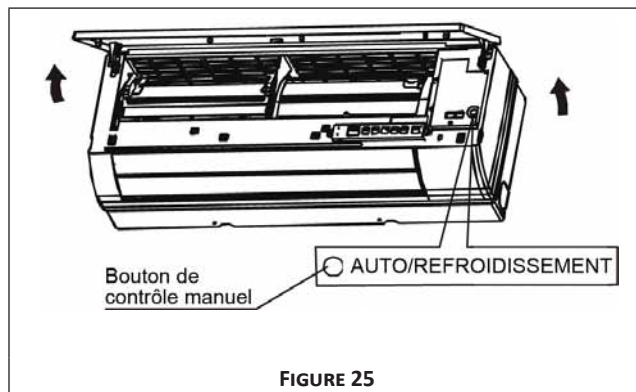
Après avoir terminé l'installation électrique :

1. Mise à la terre : Après la mise à la terre de l'unité, mesurez la résistance de mise à la terre en inspectant visuellement l'unité et en utilisant un testeur de résistance à la terre, en vous assurant que la résistance à la terre soit inférieure à 4,0 ohms.
2. Contrôle des fuites électriques (à réaliser en cours de fonctionnement) : Lors du test, après une installation complète de l'unité, l'installateur qualifié peut utiliser une électrosonde et un multimètre pour réaliser le contrôle électrique de fuites. Éteignez immédiatement l'unité en cas de fuites.

#### EFFECTUER DES TESTS

Après avoir contrôlé la présence éventuelle de fuite de gaz au niveau des raccords d'écrou d'évasement et vérifié la sécurité électrique, effectuez un fonctionnement de test.

- Veillez à ce que tous les tubes et les câbles aient été correctement branchés.
- Veillez à ce que les vannes de service du gaz et du liquide soient entièrement ouvertes.
  - » Branchez le courant ; appuyez sur le bouton ON/OFF de la télécommande pour allumer l'unité.
  - » Avec le bouton MODE, sélectionnez COOL, HEAT, AUTO et FAN pour vous assurer que toutes les fonctions soient opérationnelles.
  - » Lorsque la température ambiante descend en dessous de 17°C (63°F), l'unité ne peut pas être contrôlée par la télécommande. Pour le mode refroidissement, l'opération peut être effectuée manuellement. Le contrôle manuel de l'unité doit être effectué uniquement avec la désactivation de la télécommande ou lorsqu'un entretien s'avère nécessaire.
- Empoignez les côtés du panneau et soulevez celui-ci selon un angle qui le maintienne fixe et jusqu'à ce que vous entendiez un clic.
- Appuyez sur le bouton de contrôle manuel pour sélectionner AUTO ou COOL. L'unité fonctionnera avec le mode forcé AUTO ou COOL (voir le manuel d'utilisation pour plus de détails).



4. Le fonctionnement de test durera environ 30 minutes.

---

**REMARQUES**



---

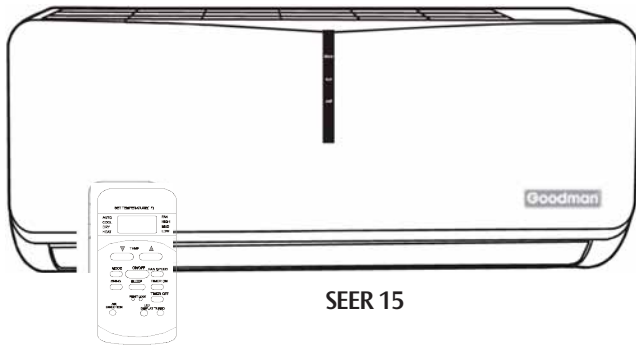
**REMARQUES**

# MANUAL DE INSTALACIÓN Y FUNCIONAMIENTO

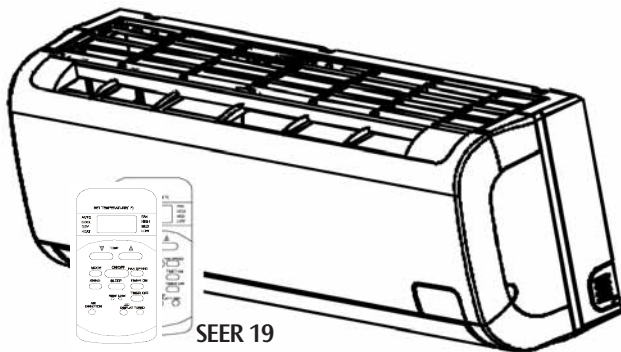
## MODELOS DE ACONDICIONADOR DE AIRE AMBIENTAL TIPO "SPLIT" Y BOMBA DE CALOR

MSC/MSH, SEER 15, 12,000 Y 18,000 UNIDADES TÉRMICAS BRITÁNICAS (BTU)/HORA • 230/208 VOLTIOS

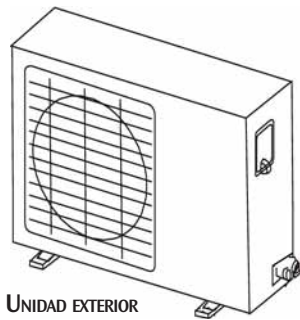
MSC/MSH, SEER 19, 12,000 Y 18,000 UNIDADES TÉRMICAS BRITÁNICAS (BTU)/HORA • 230/208 VOLTIOS



SEER 15



SEER 19




UNIDAD EXTERIOR


### CONTENIDO


Instrucciones de seguridad importantes .....	1
Inspección de envío .....	1
Códigos y normas.....	2
Consideraciones sobre la instalación .....	2
Instalaciones en azoteas.....	3
Herramientas .....	3
Instalación de unidad interior .....	3
Instalación de unidad exterior .....	5
Conexiones del conducto de refrigerante.....	7
Sistema eléctrico.....	8
Conecte el cable a la unidad interior.....	8
Conecte el cable a la unidad exterior .....	9
Prueba de fugas (nitrógeno o indicios de nitrógeno).....	10
Vaciamiento del sistema .....	10
Manejo seguro del refrigerante.....	11
Control de seguridad .....	12
Realización de pruebas .....	12

### INSTRUCCIONES DE SEGURIDAD IMPORTANTES


En todo el manual se utilizan los siguiente símbolos y etiquetas para indicar peligros de seguridad inmediatos o potenciales. Es responsabilidad del propietario y del instalador leer toda la información y las instrucciones de seguridad que acompañan estos símbolos y cumplir con ellas. Hacer caso omiso a la información de seguridad aumenta el riesgo de sufrir lesiones personales y provocar daños materiales o en el producto.

 **ADVERTENCIA**

**¡Alto voltaje!**  
DESCONECTE TODAS LAS CONEXIONES ELÉCTRICAS ANTES DE REALIZAR EL SERVICIO TÉCNICO. PODRÍA HABER MÚLTIPLES FUENTES DE ALIMENTACIÓN. SI NO SE CUMPLE ESTA MEDIDA, SE PODRÍAN OCASIONAR DAÑOS MATERIALES, LESIONES PERSONALES O LA MUERTE. 

 **ADVERTENCIA**

SÓLO PUEDEN USAR ESTA INFORMACIÓN LAS PERSONAS QUE CUMPLAN CON LOS REQUISITOS DE "TÉCNICO DE NIVEL INICIAL", COMO MÍNIMO, SEGÚN LO ESPECIFICA EL INSTITUTO DE AIRE ACONDICIONADO, CALEFACCIÓN Y REFRIGERACIÓN (AHRI, POR SUS SIGLAS EN INGLÉS). INTENTAR INSTALAR O REPARAR ESTA UNIDAD SIN ESA EXPERIENCIA PUEDE CAUSAR EL DAÑO DEL PRODUCTO, UNA LESIÓN PERSONAL O LA MUERTE.

 **ADVERTENCIA**

GOODMAN NO ASUMIRÁ RESPONSABILIDAD ALGUNA POR LESIONES O DAÑOS MATERIALES QUE SURJAN DE PROCEDIMIENTOS DE SERVICIO TÉCNICO INADECUADOS. SI REALIZA EL SERVICIO TÉCNICO A SU PRODUCTO, ASUME LA RESPONSABILIDAD POR CUALQUIER LESIÓN PERSONAL O DAÑOS MATERIALES QUE PUEDAN PRODUCIRSE COMO RESULTADO.





### ADVERTENCIA

PARA IMPEDIR EL RIESGO DE DAÑOS MATERIALES, LESIONES PERSONALES O LA MUERTE, NO ALMACENE MATERIALES COMBUSTIBLES NI USE GASOLINA U OTROS LÍQUIDOS O VAPORES INFLAMABLES EN LA PROXIMIDAD DE ESTE ARTEFACTO.



### ADVERTENCIA

PARA IMPEDIR ENFERMEDADES RELACIONADAS CON EL CALOR O LA MUERTE, NO UTILICE ESTE DISPOSITIVO PARA REFRIGERACIÓN NO SUPERVISADA DE PERSONAS O ANIMALES QUE NO PUEDAN REACCIONAR A UNA FALLA DEL PRODUCTO. LA FALLA DE UN ACONDICIONADOR DE AIRE SIN SUPERVISIÓN PUEDE HACER QUE SE CALIENTE EN EXTREMO EL ESPACIO ACONDICIONADO Y CAUSAR ENFERMEDADES RELACIONADAS CON EL CALOR O LA MUERTE DE PERSONAS O ANIMALES.



### ADVERTENCIA

PARA IMPEDIR EL RIESGO DE DAÑOS MATERIALES O LESIONES PERSONALES, MANTENGA LAS MANOS Y CUALQUIER OBJETO EXTRAÑO LEJOS DEL PUERTO DE SALIDA Y LA REJILLA DE ENTRADA MIENTRAS LA UNIDAD ESTÁ EN FUNCIONAMIENTO.

## INSPECCIÓN DE ENVÍO

Siempre mantenga la unidad en posición vertical: colocarla de lado o de cabeza puede dañarla. Los daños provocados por el envío y la posterior investigación son responsabilidad del transportista. Verifique que el número de modelo, las especificaciones, las características eléctricas y los accesorios sean los correctos antes de la instalación. El distribuidor o fabricante no aceptará reclamos de proveedores por daños durante el transporte o la instalación de unidades enviadas en forma incorrecta.

## CÓDIGOS Y NORMAS

Este producto está diseñado y fabricado para cumplir con los códigos nacionales. La instalación según dichos códigos o los códigos o las normas locales vigentes es responsabilidad del instalador. El fabricante no se hace responsable en absoluto por equipos cuya instalación infrinja cualquier código o norma.

**La Agencia de Protección Ambiental (EPA, por sus siglas en inglés) de los Estados Unidos ha emitido varias normas sobre la introducción y forma de desechar refrigerantes. No cumplir con estas normas puede provocar daños al medio ambiente y conducir a la aplicación de cuantiosas multas. En caso de dudas, comuníquese con la oficina local de la EPA.**

## CONSIDERACIONES SOBRE LA INSTALACIÓN

A fin de garantizar que la unidad funcione de manera segura y eficiente, se la debe instalar, hacer funcionar y mantener de acuerdo con estas instrucciones de instalación y funcionamiento y según los códigos y reglamentos locales o, en su defecto, según la última edición del Código Eléctrico Nacional. La instalación adecuada de esta unidad se describe en las siguientes secciones. Para garantizar la instalación correcta, se deben seguir los pasos en el orden indicado.



### PRECAUCIÓN

SE DEBE ENSAMBLAR CON LAS PIEZAS MÓVILES INFERIORES AL MENOS A 2.4 M (8 PIES). POR ENCIMA DEL NIVEL DEL SUELO O PENDIENTE

## UNIDAD INTERIOR



### PRECAUCIÓN

PARA EVITAR DAÑOS MATERIALES, LESIONES PERSONALES O LA MUERTE DEBIDO A UNA DESCARGA ELÉCTRICA, NO USE UN CABLE DE EXTENSIÓN CON ESTA UNIDAD.

### NOTAS

LOS GRÁFICOS Y LAS REPRESENTACIONES DE LA UNIDAD PUEDEN SER LIGERAMENTE DIFERENTES DE SU EQUIPO REAL.

- No la exponga al calor excesivo.
- Elija una ubicación en la que no haya obstrucciones delante o a los lados de la unidad.
- Asegúrese de que la colocación permita el drenaje adecuado de la condensación.
- No la instale cerca de una puerta de entrada.
- Asegúrese de que se mantengan los espacios indicados con flechas desde la pared, el techo u otros obstáculos (vea en la figura 1 las distancias mínimas requeridas).
- Debería considerarse la prevención de ruidos en la instalación.
- No la coloque a menos de 3 pies (1 m) de un televisor o radio.
- Debería considerarse la distancia desde muebles, cortinas u otras obstrucciones que interferirán con el flujo de aire de la unidad.
- No la exponga a la luz directa del sol. La exposición decolorará el gabinete y afectará su apariencia. Debería considerarse la prevención de luz solar en la ubicación de la unidad.

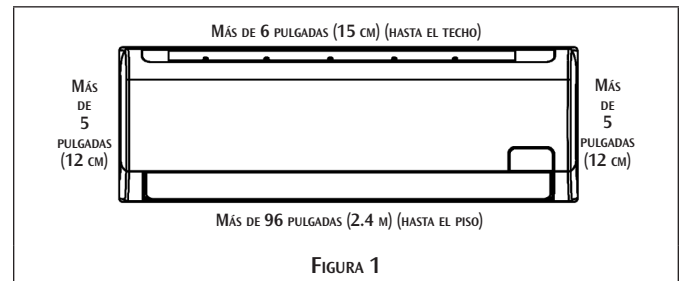


FIGURA 1

## UNIDAD EXTERIOR

Al ubicar la unidad exterior, considere todas las obstrucciones que pueden restringir la entrada o salida del aire (vea la figura 2).

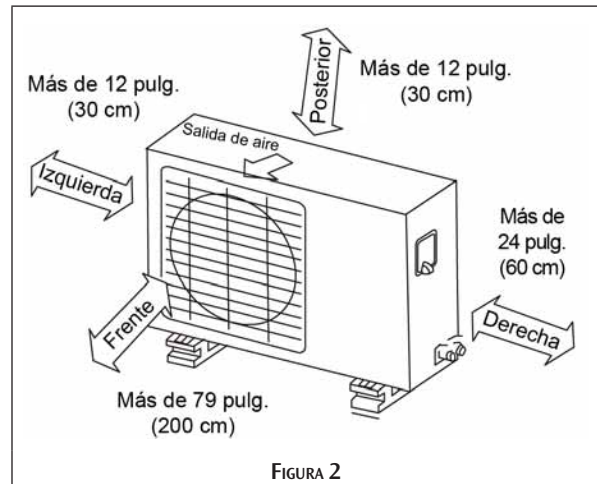


FIGURA 2

- Ubique la unidad exterior en un sitio que no obstruya el aire de descarga del condensador.
- No la instale en un ambiente corrosivo.
- Mantenga las distancias desde la pared u otros obstáculos que indican las flechas de la figura 2.
- No coloque animales o plantas en el trayecto de entrada o salida del aire.
- Seleccione una ubicación en la que no sean un problema los ruidos, la vibración ni la descarga de aire caliente.
- No la instale donde se utilicen equipos de alta frecuencia (equipos inalámbricos, máquina soldadora, instalación médica) ya que podrían interferir con el funcionamiento de la unidad.



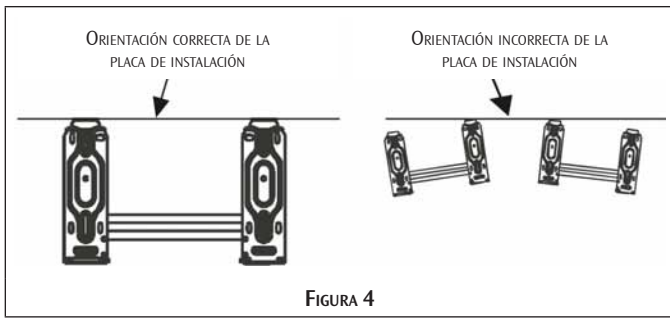


FIGURA 4

4. Determine la posición de los orificios de acuerdo con el diagrama detallado en las figuras 5A y 5B (SEER 15) y 5C (SEER 19). Perfore un (1) orificio de 2.5 pulgadas (Φ 65mm), ligeramente inclinado hacia afuera.  
**Nota:** siempre use un conducto para el orificio cuando perfore una rejilla de metal, una placa metálica, etc.

**Modelos con SEER 15**

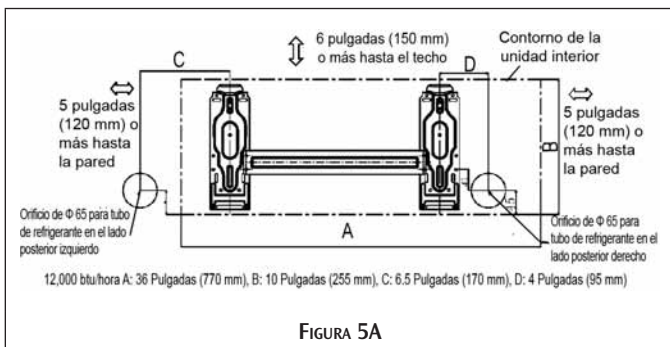


FIGURA 5A

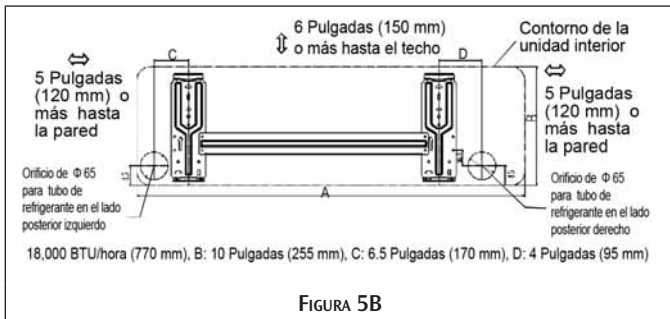


FIGURA 5B

**Modelos con SEER 19**

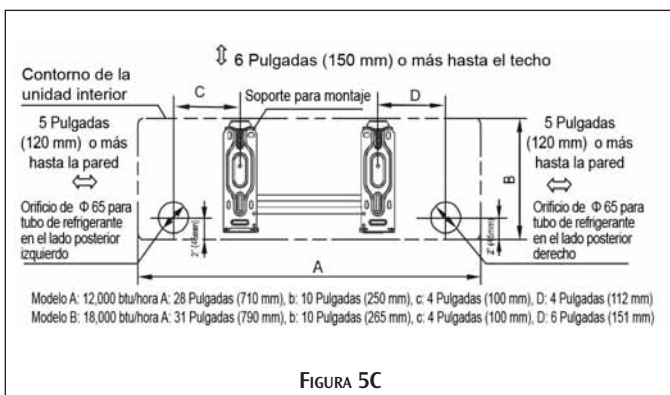


FIGURA 5C

**INSTALACIÓN DE TUBERÍAS DE REFRIGERANTE Y CONDENSACIÓN**

**INSTALACIÓN**

5. La manguera de drenaje debería instalarse con una ligera pendiente hacia abajo (vea la figura 6).

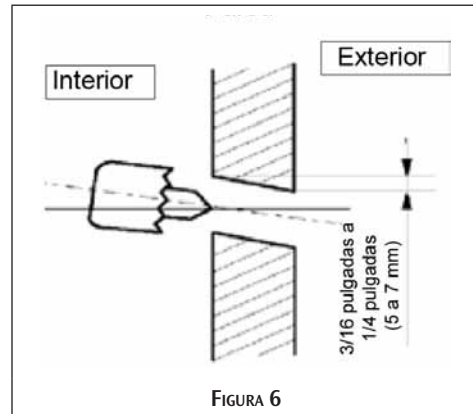


FIGURA 6

No debería instalarse la manguera de drenaje como se ve en la figura 7.

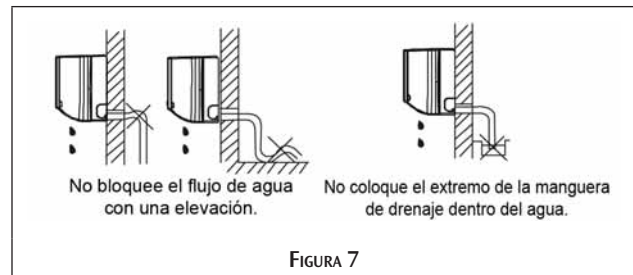


FIGURA 7

6. Al conectar la manguera de extensión de drenaje, aisle la parte que se conecta con un tubo protector. No permita que la manguera de drenaje quede floja.

**INSTALACIÓN DEL CONDUCTO DE REFRIGERANTE**

7. Para la conexión hacia la izquierda y hacia la derecha, retire del panel lateral la cubierta del caño (figura 8).

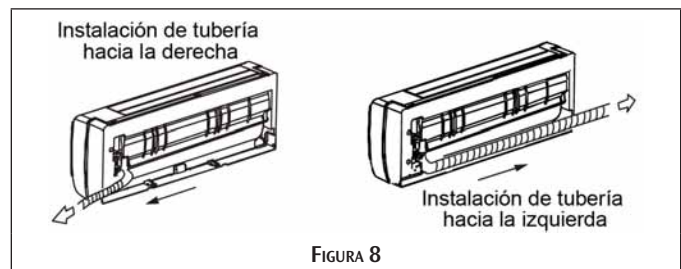


FIGURA 8

8. Para la conexión posterior hacia la izquierda y hacia la derecha, instale como se muestra en la figura 9.

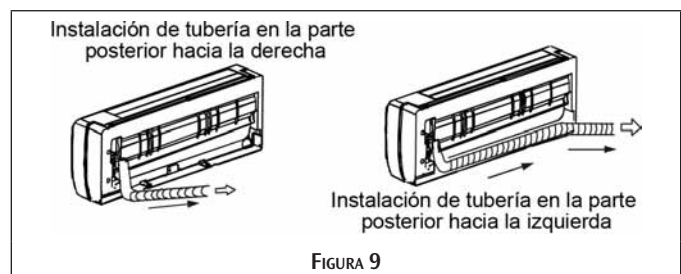


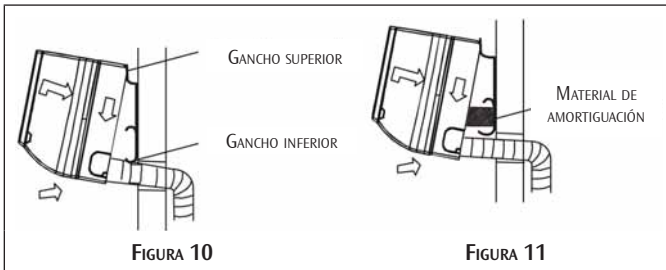
FIGURA 9



Para conectar las tuberías del refrigerante, consulte Ajuste de la conexión en Conexión de la tubería del refrigerante.

#### INSTALACIÓN DE UNIDAD INTERIOR

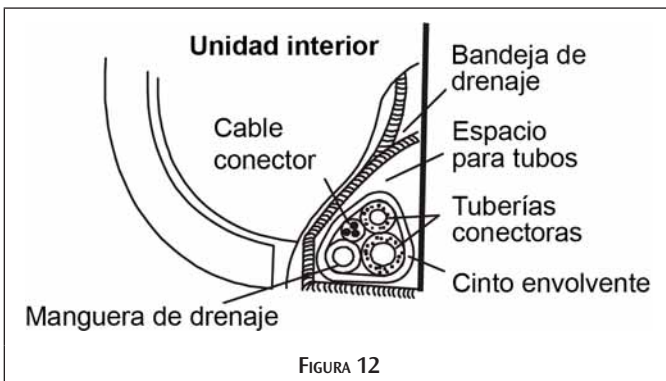
9. Pase la tubería por el orificio en la pared.
10. Coloque la pinza superior en la parte posterior de la unidad en el gancho superior de la placa de instalación. Mueva la unidad de un lado a otro para asegurarse de que esté montada en forma segura (vea la figura 10).  
**Nota:** si se coloca material de amortiguación entre la unidad interior y la pared, es más fácil colocar las tuberías (vea la figura 11). Retire el material de amortiguación luego de terminar la instalación de tuberías.



11. Empuje la parte inferior hacia arriba en la pared. Muévela de un lado a otro y de arriba abajo para asegurarse de que esté enganchada en forma segura.

#### TUBERÍAS Y ENVOLTURA

Forme un atado con cinta con las tuberías, los cables conectados y la manguera de drenaje en forma segura como se ve en la figura 12. Como el agua condensada de la parte posterior de la unidad interior se junta en la bandeja de drenaje y se elimina de la habitación mediante la tubería, no coloque nada más en la bandeja.



#### NOTAS IMPORTANTES

- ◇ LA UNIDAD INTERIOR DEBE ESTAR CONECTADA ANTES QUE LA UNIDAD EXTERIOR.
- ◇ NO DEBERÍA PERMITIRSE QUE QUEDE FLOJA LA MANGUERA DE DRENAJE.
- ◇ AÍSOLE AMBAS TUBERÍAS AUXILIARES.
- ◇ ASEGÚRESE DE QUE LA MANGUERA DE DRENAJE ESTÉ COLOCADA EN EL LADO MÁS BAJO DEL MANOJO DE TUBERÍAS. COLOCARLA EN EL LADO SUPERIOR PUEDE HACER QUE LA BANDEJA DE DRENAJE SE DESBORDE DENTRO DE LA UNIDAD.
- ◇ LA MANGUERA DE DRENAJE DEBERÍA INCLINARSE HACIA ABAJO PARA ASEGURARSE DE QUE LA CONDENSACIÓN DRENE EN FORMA CORRECTA.



#### PRECAUCIÓN

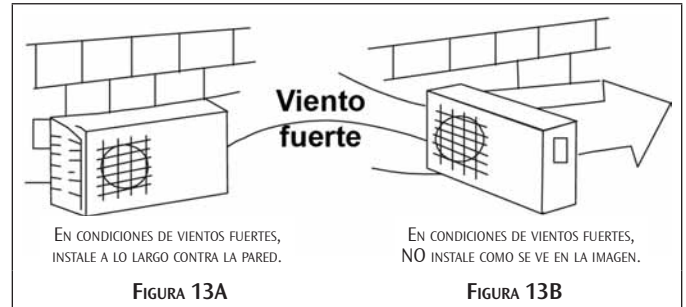
NO PERMITA QUE LA TUBERÍA ALEJE LA UNIDAD INTERIOR DE LA PARED. NUNCA ENTRELACE EL CABLEADO DE ELECTRICIDAD CON OTROS CABLES.

#### INSTALACIÓN DE UNIDAD EXTERIOR

##### PRECAUCIONES EN LA INSTALACIÓN EXTERIOR

- Instale la unidad exterior en una base rígida para impedir ruido y vibración.
- Coloque la unidad de manera que se minimice la restricción al aire de descarga.

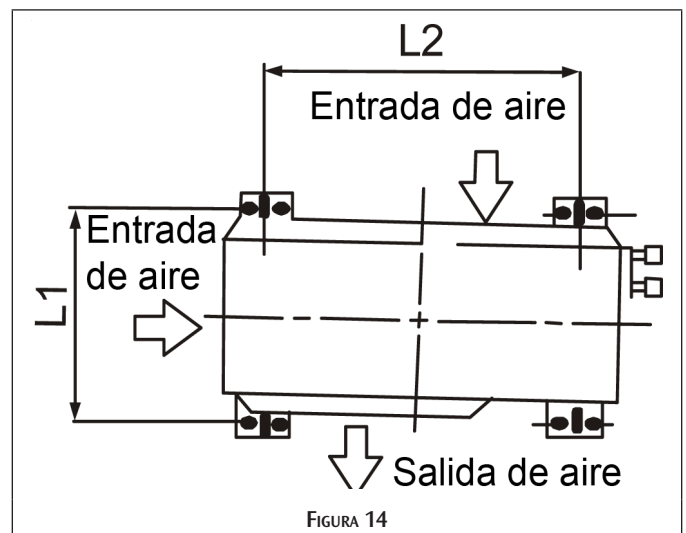
Protéjala de los vientos predominantes. Para asegurarse de que funciona de forma correcta, coloque la unidad a lo largo contra la pared o utilice una placa de protección o contra el polvo.



- Si se requiere una instalación de montaje en la pared, el soporte debería cumplir con el requisito del diagrama y la pared debería poder soportar la instalación.
- Asegúrese de que no haya obstáculos que bloqueen la descarga de aire. La pared de instalación debería ser de ladrillo, concreto u otra superficie de igual resistencia para sostener el equipo en forma segura. Asegúrese de que las conexiones a la pared, el soporte y la unidad estén asentados con firmeza y de que no haya obstrucciones al flujo de aire.

##### ANCLAJE DE LA UNIDAD EXTERIOR

La unidad debería estar anclada en forma ajustada, en sentido horizontal, con tuerca y perno ( $\Phi 8$  o  $\Phi 10$ ) sobre una superficie de concreto o similar, rígida y estable.



MODELO	DIMENSIONES DE LA UNIDAD EXTERIOR	DIMENSIONES DE MONTAJE	
	PULGADAS/ MM (LARGO 1 x ALTO x ANCHO 1)	LARGO 2 (MM)	LARGO 1 (MM)
MS*12*E15	31 pulgadas x 21 pulgadas x 10 pulgadas 780 x 540 x 250	21.5 pulgadas 549	11 pulgadas 276
MS*18*E15	30 pulgadas x 23 pulgadas x 11 pulgadas 760 x 590 x 285	21 pulgadas 530	11.5 pulgadas 290
MS*12*E19	30 pulgadas x 23 pulgadas x 11 pulgadas 760 x 590 x 285	21 pulgadas 530	11.5 pulgadas 290
MS*18*E19	33 pulgadas x 27.5 pulgadas x 12.5 pulgadas 840 x 700 x 320	22 pulgadas 560	13 pulgadas 335

#### INSTALACIÓN DE JUNTA DE DRENAJE

**Nota:** las juntas de drenaje difieren ligeramente en las diferentes unidades exteriores. Inspeccione su equipo y use las instrucciones de instalación específicas del suyo.

#### EN CASO DE JUNTAS DE DRENAJE CON SELLOS (FIGURA 15A):

Deslice el sello sobre la junta de drenaje e insértelo en el orificio en la bandeja de base de la unidad exterior. Gírelo 90° para asegurarlo (vea la figura 16).

#### EN CASO DE JUNTAS DE DRENAJE SIN SELLOS (FIGURA 15B):

Inserte la junta de drenaje en el orificio de la bandeja de base de la unidad exterior hasta que quede fijo y se oiga un «clic».

**Nota:** para proteger a la unidad exterior contra condensación de agua durante el modo calefacción, conecte la junta de drenaje con una manguera de drenaje de extensión (proporcionada por el instalador).

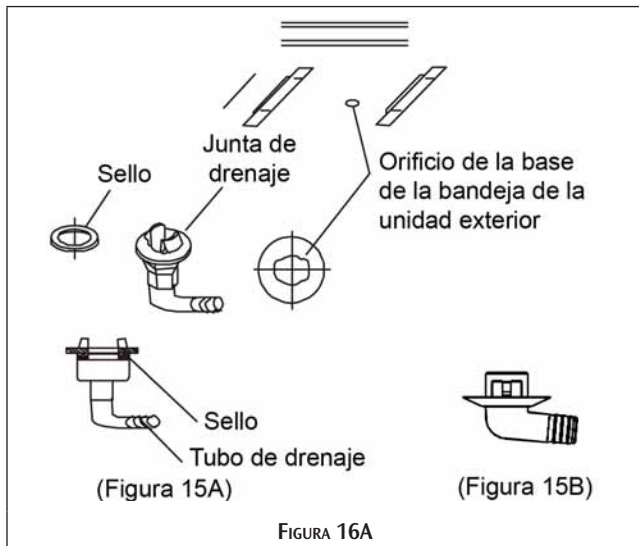


FIGURA 16A

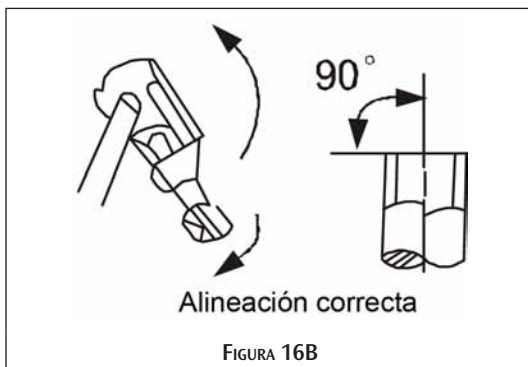
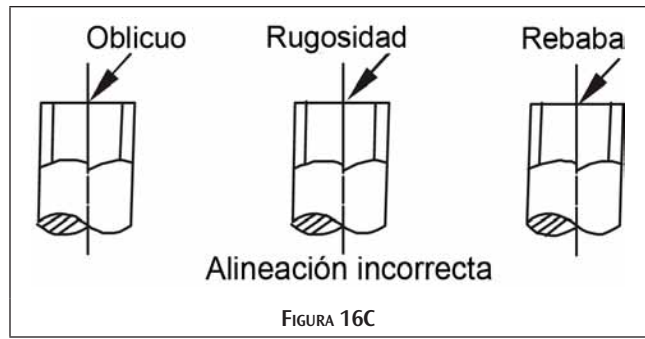


FIGURA 16B



#### CONEXIONES DEL CONDUCTO DE REFRIGERANTE

**Nota:** la causa principal de pérdida de refrigerante se debe a conexiones defectuosas.

Haga las conexiones abocardadas con el siguiente procedimiento:

1. Retire las tuercas abocardadas adosadas a las unidades interior y exterior. Antes de abocardarlas, deslícelas sobre las tuberías. No es posible colocarlas después de abocardar los caños.
2. Inserte el caño en el abocardador hasta la medida «A» en la tabla. Abocardé la tubería como se muestra en la figura 19. Asegúrese de que la abertura esté libre de rebabas y completamente formada para hacer una junta a prueba de fugas.

**Nota:** a fin de evitar que caigan rebabas en las tuberías, coloque hacia abajo el extremo del caño de cobre mientras quita las rebabas.

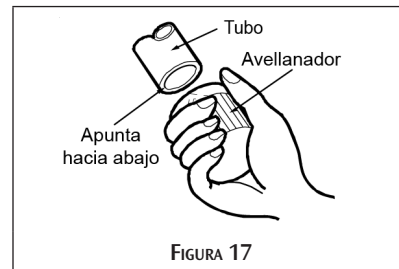


FIGURA 17

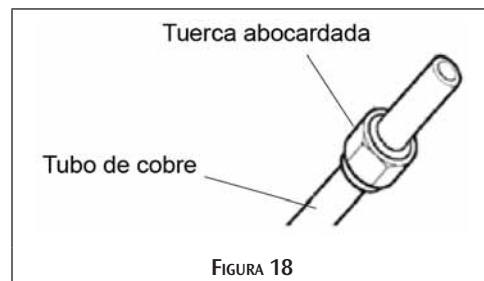


FIGURA 18

4. Conexiones abocardadas: sostenga el caño de cobre con firmeza en una matriz con las dimensiones que se ven en las tablas que siguen.

MODELO	TAMAÑO DEL TUBO		LONGITUD ESTÁNDAR	MÁX. ELEVACIÓN	MÁX. LONGITUD	REFRIG. ADICIONAL
	GAS	LÍQUIDO	PIES (M)	B PIES (M)	A PIES (M)	ONZAS/PIE (G/M)
MSC12*	1/2 pulgadas (Φ 12.7)	1/4 pulgadas (Φ 6.35)	16.5 (5)	26.25 (8)	66 (20)	0.3 (20)
MSH12*	3/8 pulgadas (Φ 9.52)	1/4 pulgadas (Φ 6.35)	16.5 (5)	26.25 (8)	66 (20)	0.3 (20)
MSC18*	3/8 pulgadas (Φ 9.52)	1/4 pulgadas (Φ 6.35)	16.5 (5)	33 (10)	82 (25)	0.3 (20)
MSH18*	1/2 pulgadas (Φ 12.7)	1/4 pulgadas (Φ 6.35)	16.5 (5)	33 (10)	82 (25)	0.3 (20)

DIÁMETRO EXTERIOR (PULGADAS Y MM)	A (PULGADAS Y MM)	
	MÁX.	MÍN.
1/4 pulgadas (6.35)	3/64 pulgadas (1.3)	1/32 pulgadas (0.7)
3/8 pulgadas (9.52)	1/16 pulgadas (1.6)	3/64 pulgadas (1.0)
1/2 pulgadas (12.7)	1/16 pulgadas (1.8)	3/64 pulgadas (1.0)
5/8 pulgadas (16.0)	3/32 pulgadas (2.2)	3/32 pulgadas (2.2)

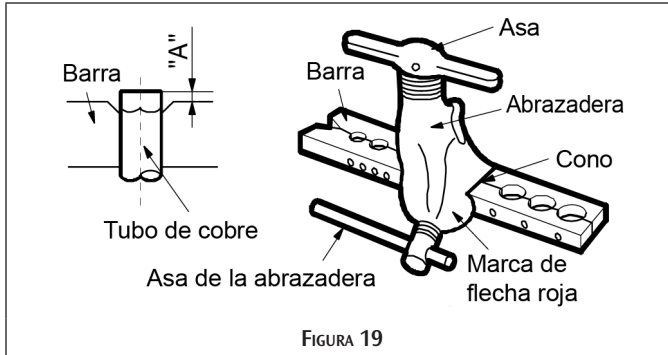


FIGURA 19

#### 5. Ajuste de la conexión:

Alinee el centro de los tubos y ajuste a mano la tuerca abocardada. Con una llave común y una de torsión (figuras 20 y 21), continúe ajustando la tuerca abocardada hasta que esté firme en el caño.

DIÁMETRO EXTERIOR (MM)	TORSIÓN DE AJUSTE	TORSIÓN DE AJUSTE ADICIONAL
1/4 pulgadas (Φ 6.35)	11 libras-pie 1500 (N-cm)	11.8 libras-pie 1600 (N-cm)
3/8 pulgadas (Φ 9.52)	18.5 libras-pie 2500 (N-cm)	19.2 libras-pie 2600 (N-cm)
1/2 pulgadas (Φ 12.7)	26 libras-pie 3500 (N-cm)	26.5 libras-pie 3600 (N-cm)
5/8 pulgadas (Φ 16.0)	33 libras-pie 4500 (N-cm)	34.5 libras-pie 4700 (N-cm)

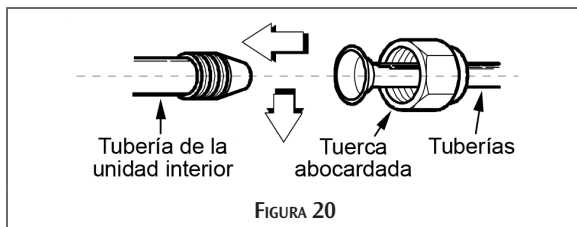


FIGURA 20

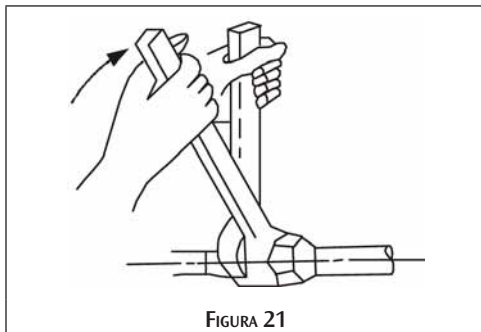


FIGURA 21



#### PRECAUCIÓN

NO AJUSTE DE MÁS. LA TORSIÓN EXCESIVA PUEDE ROMPER LA TUERCA O PELLIZGAR LA TUBERÍA.

#### SISTEMA ELÉCTRICO



#### ADVERTENCIA

SÓLO PUEDEN USAR ESTA INFORMACIÓN LAS PERSONAS QUE CUMPLAN CON LOS REQUISITOS DE «TÉCNICO DE NIVEL INICIAL», COMO MÍNIMO, SEGÚN LO ESPECIFICA EL INSTITUTO DE AIRE ACONDICIONADO, CALEFACCIÓN Y REFRIGERACIÓN (AHRI, POR SUS SIGLAS EN INGLÉS). INTENTAR INSTALAR O REPARAR ESTA UNIDAD SIN ESA EXPERIENCIA PUEDE CAUSAR EL DAÑO DEL PRODUCTO, UNA LESIÓN PERSONAL O LA MUERTE.



#### ADVERTENCIA

¡ALTO VOLTAJE!

DESCONECTE TODAS LAS CONEXIONES ELÉCTRICAS ANTES DE REALIZAR EL SERVICIO TÉCNICO. PODRÍA HABER MÚLTIPLES FUENTES DE ALIMENTACIÓN. SI NO SE CUMPLE ESTA MEDIDA, SE PODRÍAN OCASIONAR DAÑOS MATERIALES, LESIONES PERSONALES O LA MUERTE POR DESCARGA ELÉCTRICA. EL CABLEADO DEBE AJUSTARSE AL CÓDIGO ELÉCTRICO NACIONAL (NEC, POR SUS SIGLAS EN INGLÉS) O AL CONTROL DE ELECTRÓNICA DE CONSUMO (CEC, POR SUS SIGLAS EN INGLÉS) Y A TODOS LOS CÓDIGOS LOCALES. LOS CABLES DE TAMAÑOS MENORES QUE LO INDICADO PODRÍAN PROVOCAR UN MAL DESEMPEÑO DEL EQUIPO, DAÑOS O INCENDIOS.



#### NOTAS IMPORTANTES

- ◇ SI TIENE PROBLEMAS DE SEGURIDAD CON EL SUMINISTRO ELÉCTRICO, NO DEBERÍA CONECTAR LA UNIDAD HASTA RESOLVERLOS.
- ◇ ASEGÚRESE DE QUE EL SUMINISTRO ELÉCTRICO SEA SUFICIENTE COMO PARA ALIMENTAR Y HACER FUNCIONAR LA UNIDAD.
- ◇ EL VOLTAJE DEBERÍA OSCILAR ENTRE EL 90% Y EL 110% DEL VOLTAJE NOMINAL.
- ◇ EL INTERRUPTOR PRINCIPAL Y EL PROTECTOR CONTRA SOBRETENSIÓN DEBERÍAN SER DE 1.5 VECES LA CAPACIDAD DE LA CORRIENTE MÁXIMA DE LA UNIDAD Y DEBERÍAN ESTAR INSTALADOS EN EL CIRCUITO ELÉCTRICO.
- ◇ SE DEBE CONECTAR BIEN A TIERRA LA UNIDAD.
- ◇ CONECTE TODOS LOS CABLES COMO SE MUESTRA EN EL DIAGRAMA DE CABLEADO ELÉCTRICO UBICADO EN EL PANEL DE LA UNIDAD EXTERIOR.
- ◇ TODO EL CABLEADO DEBE CUMPLIR CON LOS CÓDIGOS ELÉCTRICOS LOCALES Y NACIONALES. LA INSTALACIÓN DEBE SER REALIZADA POR ELECTRICISTAS CALIFICADOS.

- La unidad debería contar con un circuito eléctrico individual.

**Nota:** el dispositivo de protección de amperaje mínimo del circuito y máxima sobreintensidad determina el calibre de los cables y la capacidad nominal de la corriente del fusible o disyuntor que se indica en la placa de identificación ubicada en el panel lateral de la unidad. Consulte la placa antes de seleccionar el cable, fusible o disyuntor.

#### CONECTE EL CABLE A LA UNIDAD INTERIOR

**Nota:** antes de realizar cualquier trabajo eléctrico, apague la conexión principal del sistema.



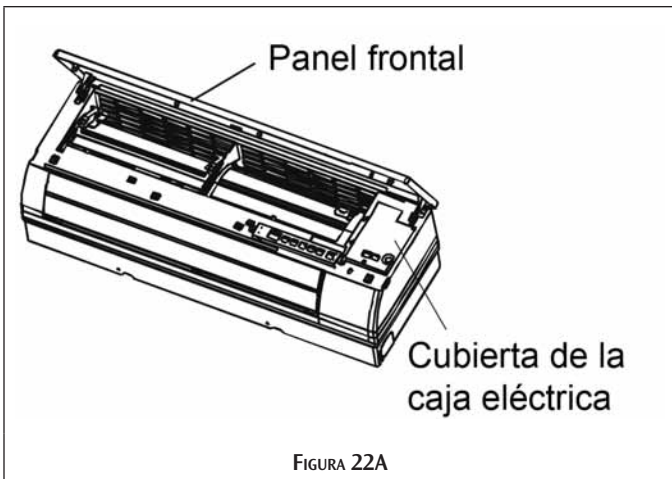
#### ADVERTENCIA

¡ALTO VOLTAJE!

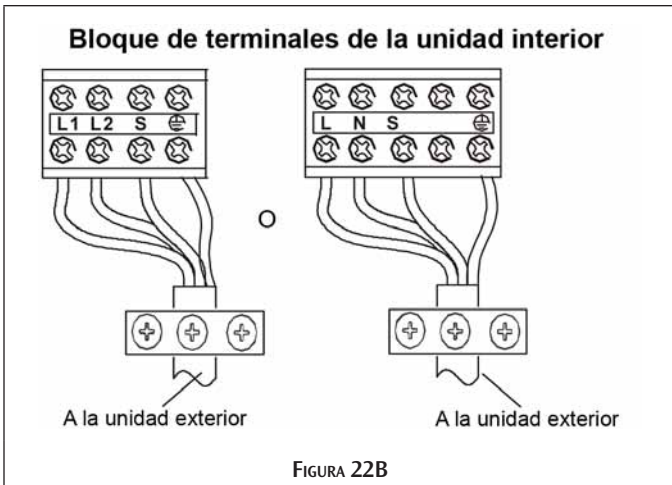
DESCONECTE TODAS LAS CONEXIONES ELÉCTRICAS ANTES DE REALIZAR EL SERVICIO TÉCNICO. PODRÍA HABER MÚLTIPLES FUENTES DE ALIMENTACIÓN. SI NO SE CUMPLE ESTA MEDIDA, SE PODRÍAN OCASIONAR DAÑOS MATERIALES, LESIONES PERSONALES O LA MUERTE.



1. El cable que conecta el interior y el exterior puede conectarse sin retirar la rejilla frontal.
2. El cable de conexión entre la unidad interior y la exterior debería estar aprobado, forrado en policloropreno, debe ser flexible, de denominación tipo H07RN-F o más denso.
3. Levante el panel de la unidad interior, retire la cubierta de la caja eléctrica aflojando el tornillo como se ve en la figura 22.



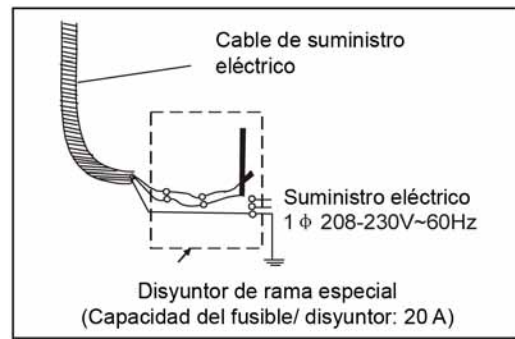
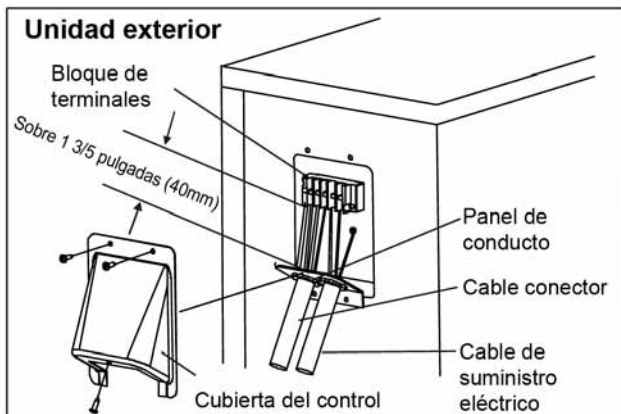
4. Asegúrese de que el color de los cables de la unidad exterior y los números de las terminales sean los mismos que los de la unidad interior. Figura 22B.



5. Envuelva con cinta de aislación los cables no conectados con terminales, de manera que no toquen componentes eléctricos. Fije los cables al tablero de control con las abrazaderas.

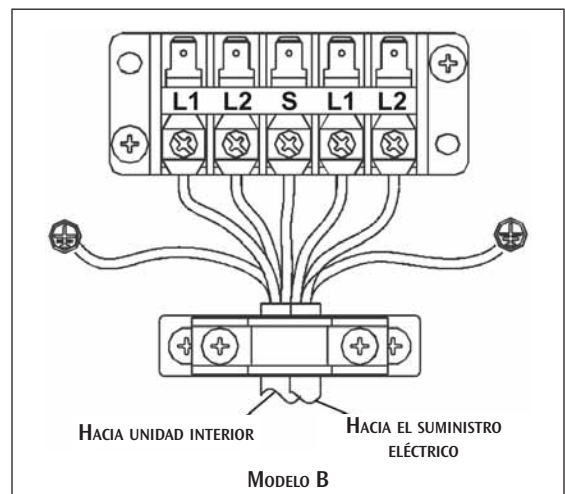
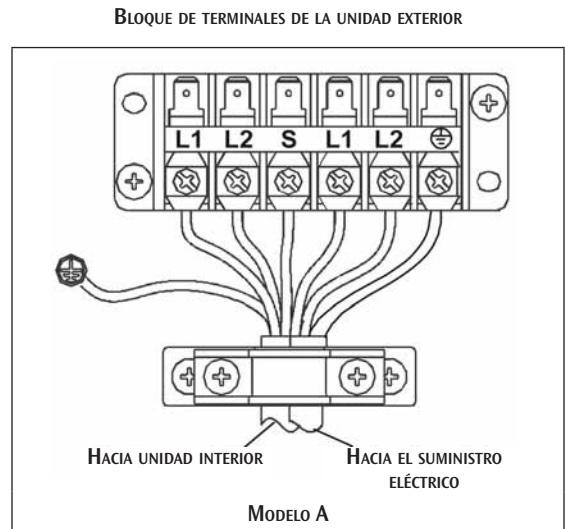
**CONECTE EL CABLE A LA UNIDAD EXTERIOR**

1. Retire la cubierta del tablero de control eléctrico de la unidad exterior aflojando el tornillo como se ve en la figura 23A.



**Nota:** la abrazadera debe ser del tamaño correcto para impedir que los cables se suelten o se deslicen de ella. Elija el diámetro apropiado de cables para llenar los orificios en la abrazadera.

2. Retire las tapas del panel de conducto.
3. Monte en forma temporal los tubos de conducto (no incluidos) en el panel de conducto.
4. Conecte las líneas de suministro eléctrico y bajo voltaje a las terminales correspondientes en el bloque de terminales (vea los modelos A y B).



5. Conecte a tierra la unidad de acuerdo con los códigos locales.
6. Asegúrese de medir cada cable y dejar varias pulgadas extra de la longitud requerida al cablear la unidad.
7. Con el uso de contratueras, fije las tuberías de conducto.



### ADVERTENCIA

CUMPLA CON TODOS LOS CÓDIGOS LOCALES CUANDO LLEVE LOS CABLES ELÉCTRICOS DE LA UNIDAD INTERIOR A LA EXTERIOR. TODOS LOS CABLES DEBEN ESTAR CONECTADOS FIRMEMENTE Y NINGUNO DEBE TOCAR LA TUBERÍA DEL REFRIGERANTE, EL COMPRESOR NI LAS PIEZAS MÓVILES. LOS CABLES SUELTOS PUEDEN HACER QUE LA TERMINAL SE SOBRECALIENTE, PRODUZCA LA FALLA DE LA UNIDAD O GENERE UN PELIGRO DE INCENDIO. DEBE PROPORCIONARSE UN MEDIO DE DESCONEJIÓN DE LA UNIDAD Y UBICARSE DONDE SEA DE FÁCIL ACCESO.

### NOTAS IMPORTANTES

DESPUÉS DE CUMPLIR CON LAS CONDICIONES MENCIONADAS, ASEGÚRESE DE TENER EN CUENTA LAS SIGUIENTES OBSERVACIONES:

- ◇ DEBE COLOCAR UN CIRCUITO ELÉCTRICO ESPECIALIZADO PARA LA UNIDAD. REALICE EL CABLEADO COMO SE MUESTRA EN EL DIAGRAMA DE CABLEADO DEL CIRCUITO UBICADO EN EL INTERIOR DE LA CUBIERTA DEL CONTROL.
- ◇ AL RECIBIR LA UNIDAD, EXAMINE LOS TORNILLOS QUE AJUSTAN EL CABLEADO EN LA CARCASA DE LOS ACCESORIOS ELÉCTRICOS, YA QUE PUEDEN HABERSE SOLTADO DURANTE EL TRASLADO. TODOS DEBEN ESTAR AJUSTADOS EN FORMA SEGURA PARA EVITAR LA FORMACIÓN DE UN ARCO ELÉCTRICO.
- ◇ FUENTE DE ENERGÍA ESPECÍFICA.
- ◇ CONFIRME QUE LA CAPACIDAD ELÉCTRICA ES SUFICIENTE PARA EL FUNCIONAMIENTO DE LA UNIDAD.
- ◇ MANTENGA EL VOLTAJE DE ARRANQUE EN MÁS DEL 90% DEL VOLTAJE NOMINAL MARCADO EN LA PLACA IDENTIFICATORIA.
- ◇ CONFIRME QUE EL CALIBRE DE LOS CABLES ES EL MENCIONADO EN LAS ESPECIFICACIONES DE FUENTE DE ENERGÍA.
- ◇ SIEMPRE INSTALE UN DISYUNTOR DE CIRCUITO DE DESCARGA A TIERRA EN ÁREAS HÚMEDAS O MOJADAS.
- ◇ UN DESCENSO EN EL VOLTAJE PUEDE PRODUCIRSE POR LA VIBRACIÓN DE UN INTERRUPTOR MAGNÉTICO, QUE PUEDE DAÑAR EL PUNTO DE CONTACTO, HACER QUE SE FUNDA UN FUSIBLE, QUE SE INTERRUMPA LA FUNCIÓN NORMAL DE LA SOBRECARGA.
- ◇ DEBERÍAN INCORPORARSE LOS MEDIOS PARA DESCONEJAR DEL SUMINISTRO ELÉCTRICO EN EL CABLEADO FIJO Y TENER UNA SEPARACIÓN DE CONTACTO CON ESPACIO DE AIRE DE POR LO MENOS 1/8 PULGADA (3 MM) EN CADA CONDUCTOR (FASE) ACTIVO.

### PRUEBA DE FUGAS (NITRÓGENO O INDICIOS DE NITRÓGENO)

Pruebe la presión del sistema usando nitrógeno seco y agua jabonosa para ubicar cualquier fuga en el sistema. Si desea utilizar un detector de fugas, cargue el sistema a 10 psi, utilice el refrigerante adecuado y luego utilice nitrógeno para terminar de cargarlo a la presión de funcionamiento. Aplique el detector en las áreas en las que sospeche que hay fugas. Si encuentra fugas, repárelas. Después de repararlas, repita la prueba de presión. Si no existen fugas, proceda con el vaciamiento del sistema.

### VACIAMIENTO DEL SISTEMA

Las válvulas de succión y líquido condensado de la unidad están cerradas para contener la carga dentro de la unidad. La unidad se envía con los vástagos de las válvulas cerrados y las tapas colocadas. **No abra las válvulas hasta que se haya vaciado el sistema.**

1. Conecte la bomba de vacío con capacidad de 250 micrones a las válvulas de servicio.
2. Vacíe el sistema hasta 250 micrones o menos utilizando válvulas de succión y de servicio de líquido. Es necesario utilizar ambas válvulas porque algunos compresores crean un sello mecánico que separa los lados del sistema.
3. Cierre la válvula de la bomba y mantenga el vacío durante 10 minutos. Por lo general, la presión subirá durante ese tiempo.

### NOTAS

- ◇ SI LA PRESIÓN SE ELEVA A 1000 MICRONES O MENOS Y PERMANECE ESTABLE, SE CONSIDERA QUE EL SISTEMA ESTÁ LIBRE DE FUGAS: PROCEDA A LA PUESTA EN MARCHA.
- ◇ SI LA PRESIÓN SE ELEVA POR ENCIMA DE LOS 1000 MICRONES PERO PERMANECE ESTABLE POR DEBAJO DE LOS 2000 MICRONES, ES POSIBLE QUE HAYA HUMEDAD O GASES NO CONDENSABLES O QUE EL SISTEMA TENGA UNA PEQUEÑA FUGA. REGRESE AL PASO 2. SI OBTIENE EL MISMO RESULTADO, VERIFIQUE LA EXISTENCIA DE FUGAS COMO SE INDICÓ Y REPÁRELAS SEGÚN SEA NECESARIO. DESPUÉS REPITA EL VACIAMIENTO.
- ◇ SI LA PRESIÓN SE ELEVA POR ENCIMA DE LOS 2000 MICRONES, HAY UNA FUGA. VERIFIQUE LA EXISTENCIA DE FUGAS COMO SE INDICÓ Y REPARE SEGÚN SEA NECESARIO; LUEGO, REPITA EL VACIAMIENTO.

MODELO	LONGITUD DE TUBERÍA CONECTORA	MÉTODO DE EVALUACIÓN	CANTIDAD ADICIONAL DE REFRIG. A SER CARGADA
SEER 15	MENOS DE 24.5 PIES (7.5 M)	USO DE BOMBA DE VACÍO	---
	MÁS DE 24.5 PIES (7.5 M)	USO DE BOMBA DE VACÍO	R-410A (LONGITUD DE TUBERÍA 5) x 0.3 ONZAS/PIE (20 G/M)
SEER 19	MENOS DE 16 PIES (5 M)	USO DE BOMBA DE VACÍO	---
	MÁS DE 16 PIES (5 M)	USO DE BOMBA DE VACÍO	R-410A (LONGITUD DE TUBERÍA 5) x 0.3 ONZAS/PIE (20 G/M)

### LONGITUD DEL CAÑO Y CANTIDAD DE REFRIGERANTE

- Cuando reubique la unidad y la coloque en otro lugar, realice el vaciamiento con una bomba de vacío.
- El refrigerante agregado a la unidad debe ser líquido (esto no corresponde a las unidades que utilizan R-22).

### MANEJO SEGURO DEL REFRIGERANTE

Si bien estos puntos no cubren cada situación imaginable, deberían servir como guía útil.



### ADVERTENCIA

LOS REFRIGERANTES SON MÁS PESADOS QUE EL AIRE. PUEDEN «EXPULSAR» EL OXÍGENO DE SUS PULMONES O DE CUALQUIER ESPACIO CERRADO. PARA EVITAR POSIBLES DIFICULTADES RESPIRATORIAS O LA MUERTE,

- ◇ NUNCA PURGUE EL REFRIGERANTE EN UN AMBIENTE O ESPACIO CERRADO. POR LEY, TODOS LOS REFRIGERANTES DEBEN SER RECUPERADOS.
- ◇ SI SE SOSPECHA LA EXISTENCIA DE UNA FUGA EN EL INTERIOR, VENTILE EL ÁREA EN FORMA EXHAUSTIVA ANTES DE COMENZAR A TRABAJAR.
- ◇ EL REFRIGERANTE LÍQUIDO PUEDE SER MUY FRÍO. PARA EVITAR POSIBLE CONGELAMIENTO O CEGUERA, EVITE EL CONTACTO Y USE GUANTES Y GAFAS PROTECTORAS. SI EL LÍQUIDO REFRIGERANTE ENTRARA EN CONTACTO CON SU PIEL O SUS OJOS, BUSQUE AYUDA MÉDICA DE INMEDIATO.
- ◇ SIEMPRE SIGA LAS NORMAS DE LA AGENCIA DE PROTECCIÓN AMBIENTAL (EPA, POR SUS SIGLAS EN INGLÉS). NUNCA QUEME EL REFRIGERANTE, YA QUE SE PRODUCIRÁ GAS VENENOSO.



### ADVERTENCIA

PARA EVITAR UNA POSIBLE EXPLOSIÓN:

- ◇ NUNCA APLIQUE UNA LLAMA O VAPOR A UN CILINDRO DE REFRIGERANTE. SI DEBE CALENTAR UN CILINDRO PARA UNA CARGA MÁS RÁPIDA, SUMÉRJALO EN AGUA CALIENTE.
- ◇ NUNCA LLENE MÁS DEL 80% DE UN CILINDRO CON LÍQUIDO REFRIGERANTE.
- ◇ NUNCA AGREGUE OTRA COSA QUE NO SEA R-22 A UN CILINDRO PARA R-22, NI ALGO DIFERENTE A R-410A A UNO PARA R-410A. EL EQUIPO DE SERVICIO UTILIZADO DEBE ESTAR EN LA LISTA O TENER CERTIFICACIÓN PARA EL TIPO DE REFRIGERANTE QUE SE USA.
- ◇ ALMACENE LOS CILINDROS EN LUGAR FRESCO Y SECO. NUNCA UTILICE UN CILINDRO COMO PLATAFORMA O RODILLO.



### ADVERTENCIA

PARA EVITAR UNA POSIBLE EXPLOSIÓN, UTILICE SÓLO LOS CILINDROS DE SERVICIO RETORNABLES (NO DESECHABLES) CUANDO RETIRE EL REFRIGERANTE DE UN SISTEMA.

- ◇ ASEGÚRESE DE QUE EL CILINDRO NO ESTÉ DAÑADO, LO QUE PODRÍA LLEVAR A UNA FUGA O EXPLOSIÓN.
  - ◇ ASEGÚRESE DE QUE LA FECHA DE PRUEBA HIDROSTÁTICA NO SUPERE LOS 5 AÑOS.
  - ◇ ASEGÚRESE DE QUE EL VALOR DE PRESIÓN ALCANCE O SUPERE LAS 400 LIBRAS.
- SI TIENE DUDAS, NO USE EL CILINDRO.

### TENGA PRECAUCIÓN AL MANIPULAR LA VÁLVULA COMPACTA:

- Abra el vástago de la válvula hasta hacer contacto contra el tapón. No intente seguir abriendo.



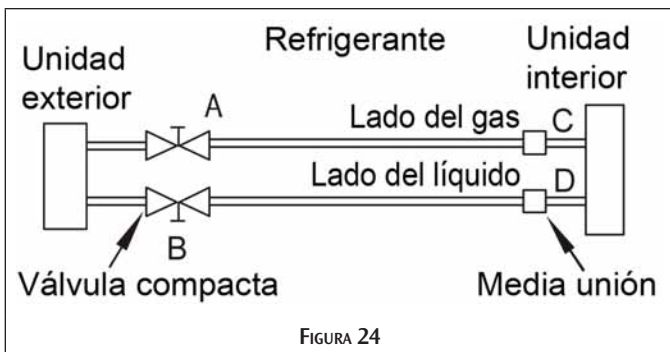


FIGURA 24

- Ajuste en forma segura la tapa del vástago de la válvula con una llave o una herramienta similar.
- Vea la tabla de torsión de ajuste en la sección de Ajuste de la conexión.

#### CONTROL DE SEGURIDAD

Luego de terminar la instalación eléctrica:

1. Conexión a tierra: luego de conectar a tierra la unidad, mida la resistencia de la conexión inspeccionando la unidad en forma visual y usando un probador de resistencia de tierra, y asegurándose de que sea de menos de 4 ohmios.
2. Control de fuga eléctrica (a realizarse durante el funcionamiento): durante el funcionamiento de prueba, después de terminar la instalación de la unidad, el instalador calificado puede usar la sonda amperimétrica y el multímetro para realizar el control de fugas eléctricas. Apague la unidad de inmediato si se produce una fuga.

#### REALIZACIÓN DE PRUEBAS

Luego de terminar el control de fuga de gas en las conexiones de tuerca abocardada y el control de seguridad eléctrica, realice el funcionamiento de prueba.

- Asegúrese de que las tuberías y los cables se hayan conectado en forma apropiada.
- Asegúrese de que las válvulas de servicio lateral de gas y líquido estén completamente abiertas.
  - » Conecte la electricidad, presione el botón de ENCENDIDO y APAGADO en el control remoto y encienda la unidad.
  - » Con el botón MODO, seleccione FRÍO, CALOR, AUTOMÁTICO y VENTILADOR para asegurarse de que todas las funciones estén activas.
  - » Cuando la temperatura ambiente es de menos de 63 °F (17 °C), no puede manejarse la unidad con el control remoto. Debe hacerse funcionar el modo de refrigeración en forma manual. La unidad se controlará en forma manual sólo cuando el control remoto esté desactivado o se requiera mantenimiento.
- Aferre los lados del panel y levántelo hasta un ángulo en el que permanezca fijo y se oiga un «clíc».
- Presione el botón de control manual para seleccionar AUTOMÁTICO o FRÍO. La unidad funcionará en modo forzado AUTOMÁTICO o FRÍO (vea más detalles en el manual del usuario).

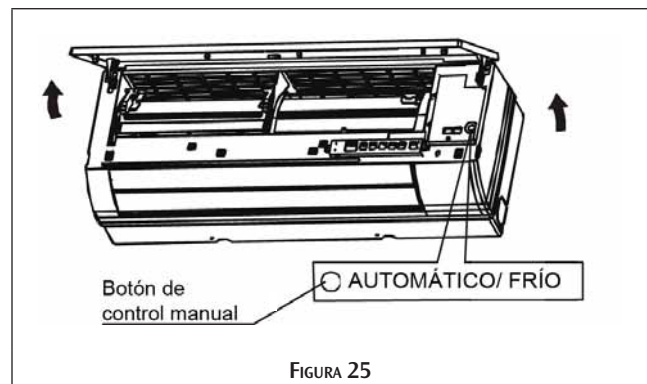


FIGURA 25

4. El funcionamiento de prueba debería durar unos 30 minutos.

---

**NOTAS**

